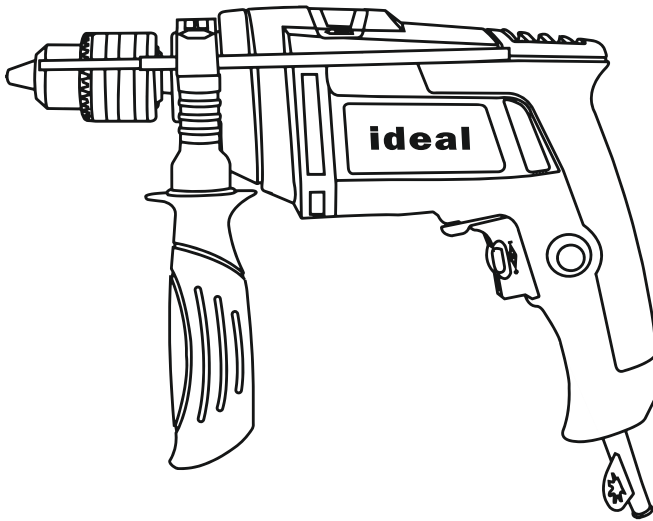



ID ID13RF

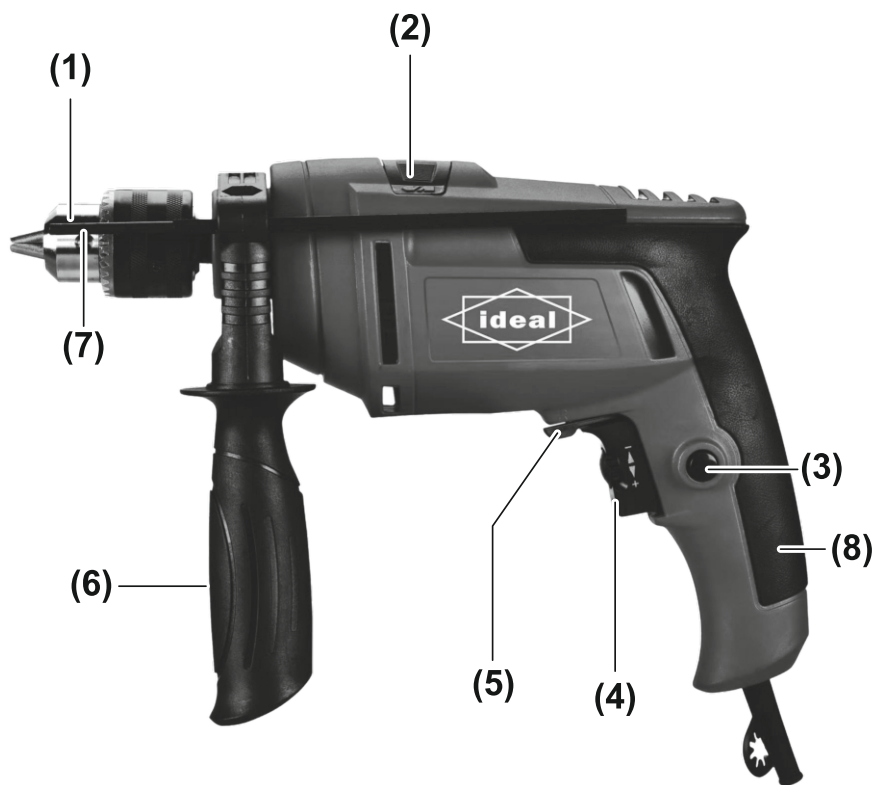
Part No: 20258

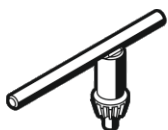
IMPACT DRILL

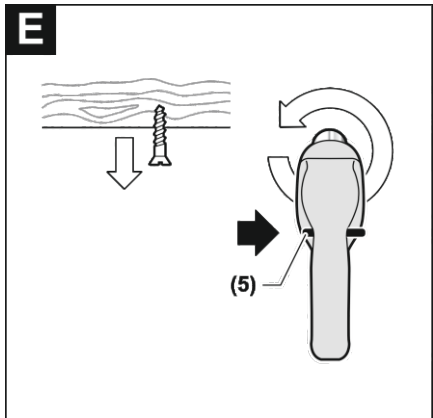
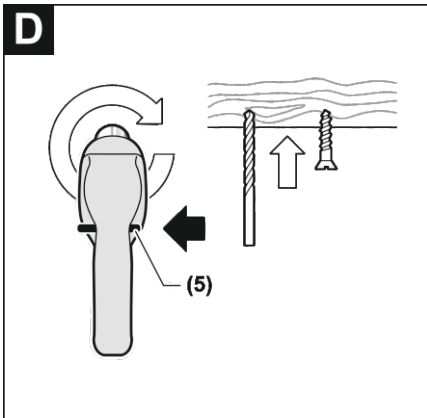
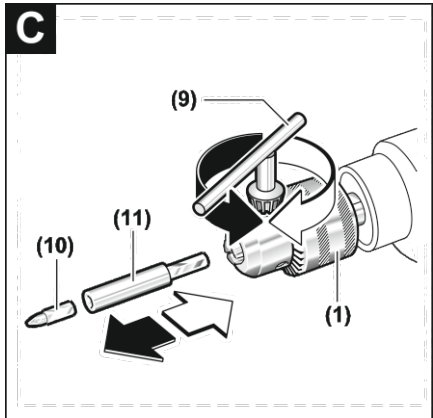
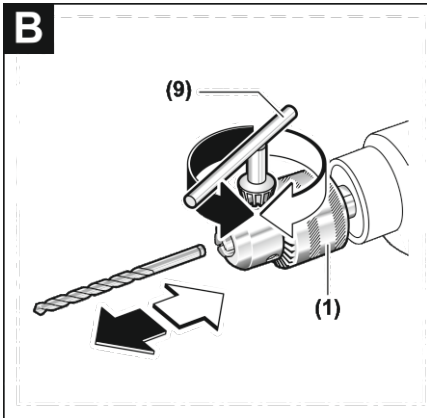
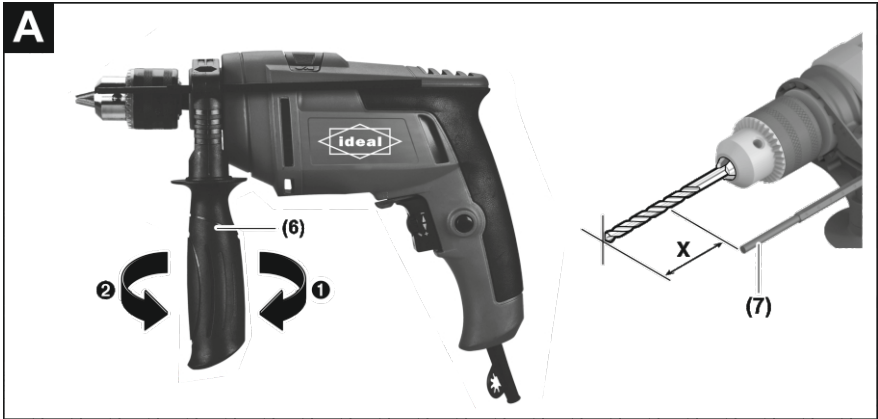


 Read through carefully and understand these instructions before use.

OPERATION INSTRUCTIONS







Safety Instructions

General Power Tool Safety Warnings

▲ WARNING Read all safety warnings, instructions provided with this power tool. Failure to follow all instructions listed below may result in electric shock, fire and/or serious injury.

Save all warnings and instructions for future reference.

The term "power tool" in the warnings refers to your mains-operated (corded) power tool or battery-operated (cordless) power tool.

Work area safety

- ▶ **Keep work area clean and well lit.** Cluttered or dark areas invite accidents.
- ▶ **Do not operate power tools in explosive atmospheres, such as in the presence of flammable liquids, gases or dust.** Power tools create sparks which may ignite the dust or fumes.
- ▶ **Keep children and bystanders away while operating a power tool.** Distractions can cause you to lose control.

Electrical safety

- ▶ **Power tool plugs must match the outlet. Never modify the plug in any way. Do not use any adapter plugs with earthed (grounded) power tools.** Unmodified plugs and matching outlets will reduce risk of electric shock.
- ▶ **Avoid body contact with earthed or grounded surfaces, such as pipes, radiators, ranges and refrigerators.** There is an increased risk of electric shock if your body is earthed or grounded.
- ▶ **Do not expose power tools to rain or wet conditions.** Water entering a power tool will increase the risk of electric shock.
- ▶ **Do not abuse the cord. Never use the cord for carrying, pulling or unplugging the power tool. Keep cord away from heat, oil, sharp edges or moving parts.** Damaged or entangled cords increase the risk of electric shock.
- ▶ **When operating a power tool outdoors, use an extension cord suitable for outdoor use.** Use of a cord suitable for outdoor use reduces the risk of electric shock.
- ▶ **If operating a power tool in a damp location is unavoidable, use a residual current device (RCD) protected supply.** Use of an RCD reduces the risk of electric shock.

Personal safety

- ▶ **Stay alert, watch what you are doing and use common sense when operating a power tool. Do not use a power tool while you are tired or under the influence of drugs, alcohol or medication.** A moment of inattention while operating power tools may result in serious personal injury.

- ▶ **Use personal protective equipment. Always wear eye protection.** Protective equipment such as a dust mask, non-skid safety shoes, hard hat or hearing protection used for appropriate conditions will reduce personal injuries.
- ▶ **Prevent unintentional starting. Ensure the switch is in the off-position before connecting to power source and/or battery pack, picking up or carrying the tool.** Carrying power tools with your finger on the switch or energising power tools that have the switch on invites accidents.
- ▶ **Remove any adjusting key or wrench before turning the power tool on.** A wrench or a key left attached to a rotating part of the power tool may result in personal injury.
- ▶ **Do not overreach. Keep proper footing and balance at all times.** This enables better control of the power tool in unexpected situations.
- ▶ **Dress properly. Do not wear loose clothing or jewellery. Keep your hair and clothing away from moving parts.** Loose clothes, jewellery or long hair can be caught in moving parts.
- ▶ **If devices are provided for the connection of dust extraction and collection facilities, ensure these are connected and properly used.** Use of dust collection can reduce dust-related hazards.
- ▶ **Do not let familiarity gained from frequent use of tools allow you to become complacent and ignore tool safety principles.** A careless action can cause severe injury within a fraction of a second.

Power tool use and care

- ▶ **Do not force the power tool. Use the correct power tool for your application.** The correct power tool will do the job better and safer at the rate for which it was designed.
- ▶ **Do not use the power tool if the switch does not turn it on and off.** Any power tool that cannot be controlled with the switch is dangerous and must be repaired.
- ▶ **Disconnect the plug from the power source and/or remove the battery pack, if detachable, from the power tool before making any adjustments, changing accessories, or storing power tools.** Such preventive safety measures reduce the risk of starting the power tool accidentally.
- ▶ **Store idle power tools out of the reach of children and do not allow persons unfamiliar with the power tool or these instructions to operate the power tool.** Power tools are dangerous in the hands of untrained users.
- ▶ **Maintain power tools and accessories. Check for misalignment or binding of moving parts, breakage of parts and any other condition that may affect the power tool's operation. If damaged, have the power tool repaired before use.** Many accidents are caused by poorly maintained power tools.

- ▶ **Keep cutting tools sharp and clean.** Properly maintained cutting tools with sharp cutting edges are less likely to bind and are easier to control.
- ▶ **Use the power tool, accessories and tool bits etc. in accordance with these instructions, taking into account the working conditions and the work to be performed.** Use of the power tool for operations different from those intended could result in a hazardous situation.
- ▶ **Keep handles and grasping surfaces dry, clean and free from oil and grease.** Slippery handles and grasping surfaces do not allow for safe handling and control of the tool in unexpected situations.

Service

- ▶ **Have your power tool serviced by a qualified repair person using only identical replacement parts.** This will ensure that the safety of the power tool is maintained.

Safety Warnings for Drills

Safety instructions for all operations

- ▶ **Wear ear protectors when impact drilling.** Exposure to noise can cause hearing loss.
- ▶ **Use the auxiliary handle(s).** Loss of control can cause personal injury.
- ▶ **Hold the power tool by insulated gripping surfaces, when performing an operation where the cutting accessory or fasteners may contact hidden wiring or its own cord.** Cutting accessory or fasteners contacting a "live" wire may make exposed metal parts of the power tool "live" and could give the operator an electric shock.

Safety instructions when using long drill bits

- ▶ **Never operate at higher speed than the maximum speed rating of the drill bit.** At higher speeds, the bit is likely to bend if allowed to rotate freely without contacting the workpiece, resulting in personal injury.
- ▶ **Always start drilling at low speed and with the bit tip in contact with the workpiece.** At higher speeds, the bit is likely to bend if allowed to rotate freely without contacting the workpiece, resulting in personal injury.
- ▶ **Apply pressure only in direct line with the bit and do not apply excessive pressure.** Bits can bend causing breakage or loss of control, resulting in personal injury.

Additional safety warnings

- ▶ **Switch the power tool off immediately if the application tool becomes blocked. Be prepared for high torque reactions which cause kickback.** The application tool becomes blocked when it becomes jammed in the workpiece or when the power tool becomes overloaded.
- ▶ **Hold the power tool securely.** When tightening and loosening screws be prepared for temporarily high torque reactions.
- ▶ **Secure the workpiece.** A workpiece clamped with clamping devices or in a vice is held more secure than by hand.

- ▶ **Use suitable detectors to determine if utility lines are hidden in the work area or call the local utility company for assistance.** Contact with electric lines can lead to fire and electric shock. Damaging a gas line can lead to explosion. Penetrating a water line causes property damage or may cause an electric shock.
- ▶ **Always wait until the power tool has come to a complete stop before placing it down.** The application tool can jam and cause you to lose control of the power tool.

Products sold in GB only:

Your product is fitted with an BS 1363/A approved electric plug with internal fuse (ASTA approved to BS 1362).

If the plug is not suitable for your socket outlets, it should be cut off and an appropriate plug fitted in its place by an authorised customer service agent. The replacement plug should have the same fuse rating as the original plug.

The severed plug must be disposed of to avoid a possible shock hazard and should never be inserted into a mains socket elsewhere.

Product Description and Specifications



Read all the safety and general instructions.

Failure to observe the safety and general instructions may result in electric shock, fire and/or serious injury.

Please observe the illustrations at the beginning of this operating manual.

Intended Use

The power tool is intended for impact drilling in brick, concrete and stone, as well as for drilling in wood, metal, ceramic and plastic. Tools with electronic control and right/left rotation are also suitable for screwdriving and thread cutting.

Product features

The numbering of the product features refers to the diagram of the power tool on the graphics page.

- (1) Keyed chuck
- (2) "Drilling/impact drilling" selector switch
- (3) Lock-on button for on/off switch
- (4) On/off switch
- (5) Rotational direction switch
- (6) Auxiliary handle (insulated gripping surface)
- (7) Depth stop
- (8) Handle (insulated gripping surface)
- (9) Chuck key
- (10) Screwdriver bit^{a)}
- (11) Universal bit holder^{a)}

a) **Accessories shown or described are not included with the product as standard. You can find the complete selection of accessories in our accessories range.**

Technical data

| Impact drill | | ID ID13RF |
|--|-------------------|--------------|
| Article number | | 20258 |
| Rated power input | W | 750 |
| Power output | W | 340 |
| No-load speed | min ⁻¹ | 0–3000 |
| Impact rate at no-load speed | min ⁻¹ | 0–48000 |
| Rated torque | Nm | 1.4 |
| Clockwise/anticlockwise rotation | | ● |
| Spindle collar diameter | mm | 43 |
| Max. drilling diameter | | |
| – Concrete | mm | 13 |
| – Masonry | mm | 13 |
| – Steel | mm | 10 |
| – Wood | mm | 25 |
| Chuck capacity | mm | 1.5–13 |
| Weight according to EPTA-Procedure 01:2014 | kg | 2.1 |
| Protection class | | □/II |

The specifications apply to a rated voltage [U] of 230 V. These specifications may vary at different voltages and in country-specific models.

Noise/vibration information

Noise emission values determined according to **EN 62841-2-1**.

Typically, the A-weighted noise level of the power tool is: Sound pressure level **99** dB(A); sound power level **107** dB(A). Uncertainty K = **5** dB.

Wear hearing protection!

Vibration total values a_h (triax vector sum) and uncertainty K determined according to **EN 62841-2-1**:

Drilling into metal: $a_h = 5.2$ m/s², K = **1.5** m/s²,

Impact drilling into concrete: $a_h = 25.3$ m/s², K = **1.5** m/s².

The vibration level and noise emission value given in these instructions have been measured in accordance with a standardised measuring procedure and may be used to compare power tools. They may also be used for a preliminary estimation of vibration and noise emissions.

The stated vibration level and noise emission value represent the main applications of the power tool. However, if the power tool is used for other applications, with different application tools or is poorly maintained, the vibration level and noise emission value may differ. This may significantly increase the vibration and noise emissions over the total working period.

To estimate vibration and noise emissions accurately, the times when the tool is switched off or when it is running but not actually being used should also be taken into account. This may significantly reduce vibration and noise emissions over the total working period.

Implement additional safety measures to protect the operator from the effects of vibration, such as servicing the power tool and application tools, keeping their hands warm, and organising workflows correctly.

Assembly

► **Pull the plug out of the socket before carrying out any work on the power tool.**

Auxiliary handle (see figure A)

► **Do not operate your power tool without the auxiliary handle (6).**

You can adjust the auxiliary handle (6) to any of 12 positions in order to achieve a safe work posture that minimises fatigue.

Turn the lower gripping end of the auxiliary handle (6) in rotational direction ① and push the auxiliary handle (6) forward until you can swivel it into the required position. Then pull the auxiliary handle (6) back again and turn the lower gripping end in rotational direction ② to tighten it.

Setting the drilling depth (see figure A)

You can use the depth stop (7) to set the required drilling depth X.

Turn the lower gripping end of the auxiliary handle (6) anti-clockwise and set the depth stop (7).

Pull the depth stop (7) far enough out that the distance between the drill bit tip and the edge of the depth stop (7) corresponds to the required drilling depth X.

Then turn the lower gripping end of the auxiliary handle (6) clockwise to retighten it.

The fluting on the depth stop (7) must face downwards.

Changing the Tool

► **Wear protective gloves when changing tools.** The drill chuck may heat up significantly when it is used for long periods.

Keyed chuck (see figure B)

Open the keyed chuck (1) by turning it until the tool can be inserted. Insert the tool.

Insert the drill chuck key (9) into the corresponding holes of the keyed chuck (1) and clamp the tool evenly.

Screwdriving tools (see figure C)

You should always use a universal bit holder (11) when using screwdriver bits (10). Only use screwdriver bits that fit the screw head.

For screwdriving, make sure the "drilling/impact drilling" selector switch (2) is always set to the "drilling" symbol.

Dust/Chip Extraction

Dust from materials such as lead-containing coatings, some wood types, minerals and metal can be harmful to one's health. Touching or breathing-in the dust can cause allergic reactions and/or lead to respiratory infections of the user or bystanders.

Certain dust, such as oak or beech dust, is considered carcinogenic, especially in connection with wood-treatment additives (chromate, wood preservative). Materials containing asbestos may only be worked by specialists.

- Provide for good ventilation of the working place.
- It is recommended to wear a P2 filter-class respirator.

Observe the relevant regulations in your country for the materials to be worked.

- ▶ **Avoid dust accumulation at the workplace.** Dust can easily ignite.

Changing the drill chuck

- ▶ If your power tool does not have a drill spindle locking mechanism, you must have the drill chuck changed by an authorised after-sales service centre for **Bosch** power tools.



The drill chuck must be tightened using a tightening torque of approx. 30–35 Nm.

Operation

Starting Operation

- ▶ **Pay attention to the mains voltage.** The voltage of the power source must match the voltage specified on the rating plate of the power tool.
- ▶ **Products that are only sold in AUS and NZ:** Use a residual current device (RCD) with a nominal residual current of 30 mA or less.

Setting the rotational direction (see figure D – E)

- ▶ **Only operate the rotational direction switch (5) when the power tool is not in use.**

The rotational direction switch (5) is used to change the rotational direction of the power tool. However, this is not possible while the on/off switch (4) is being pressed.

Right rotation: To drill and to drive in screws, press the rotational direction switch (5) through to the left stop.

Left Rotation: To loosen and unscrew screws and nuts, press the rotational direction switch (5) through to the right stop.

Setting the Operating Mode



Drilling and screwdriving

Set the selector switch (2) to the "drilling" symbol.



Impact drilling

Set the selector switch (2) to the "impact drilling" symbol.

The selector switch (2) clicks into place and can also be actuated when the motor is running.

Switching on/off

To **start** the power tool, press and hold the on/off switch (4).

Press the lock-on button (3) to **lock** the on/off switch (4) in this position.

To **switch off** the power tool, release the on/off switch (4); or, if the switch is locked with the lock-on button (3), briefly press the on/off switch (4) and then release it.

Adjusting the Speed/Impact Rate

You can adjust the speed/impact rate of the power tool when it is on by pressing in the on/off switch (4) to varying extents.

Applying light pressure to the on/off switch (4) results in a low rotational speed/impact rate. Applying increasing pressure to the switch increases the speed/impact rate.

Practical Advice

- ▶ **Pull the plug out of the socket before carrying out any work on the power tool.**
- ▶ **Only apply the power tool to the screw/nut when the tool is switched off.** Rotating tool inserts can slip off.

After working at a low speed for an extended period, you should operate the power tool at the maximum speed for approximately three minutes without load to cool it down.

To drill into tiles, set the selector switch (2) to the "drilling" symbol. After drilling through the tile, set the selector switch to the "impact drilling" symbol and drill with impact.

Use carbide drill bits when working with concrete, stone and masonry.

When drilling into metal, only use sharpened HSS drills (HSS = high-speed steel) which are in perfect condition.

Using the drill bit sharpener (accessory), you can effortlessly sharpen twist drill bits with a diameter of 2.5–10 mm.

Maintenance and Service

Maintenance and Cleaning

- ▶ **Pull the plug out of the socket before carrying out any work on the power tool.**
- ▶ **To ensure safe and efficient operation, always keep the power tool and the ventilation slots clean.**

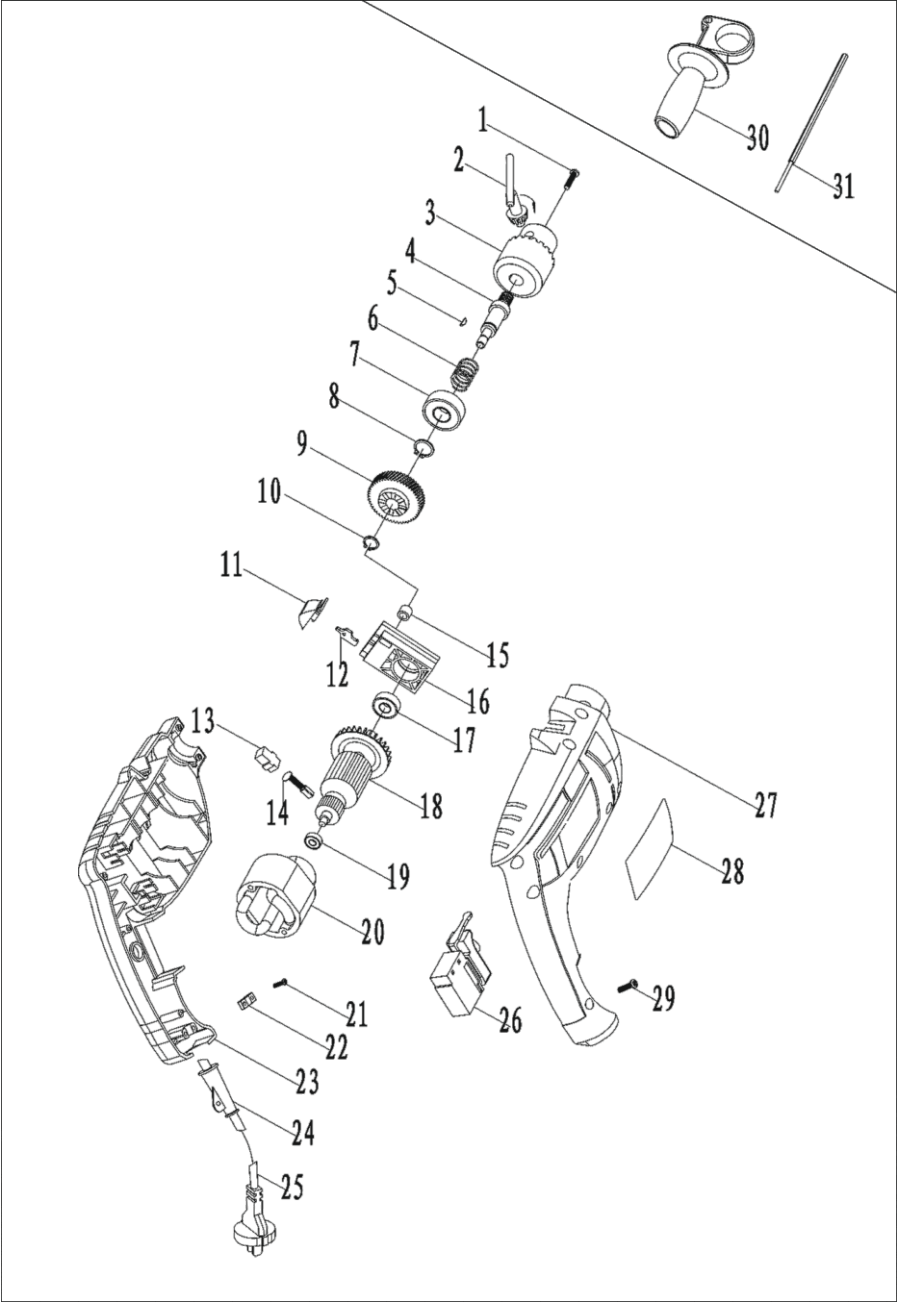
Disposal

The power tool, accessories and packaging should be recycled in an environmentally friendly manner.



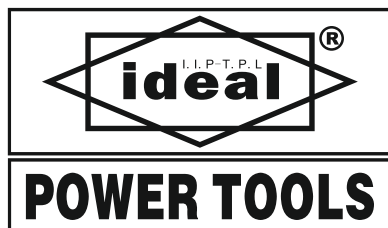
Do not dispose of power tools along with household waste.

Exploded View of ID ID13RF

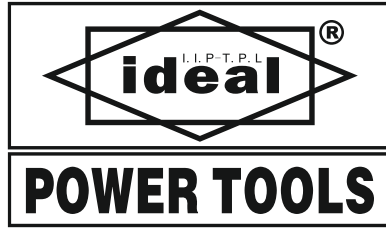


SPARE PARTS INDEX

| NO | NAME | QTY | NO | NAME | QTY |
|-----|-------------------|-----|-----|----------------|-----|
| 1. | Screw M5x22LH | 1 | 17. | Bearing 608 | 1 |
| 2. | Key | 1 | 18. | Armature | 1 |
| 3. | Chuck | 1 | 19. | Bearing 626 | 1 |
| 4. | Spindle | 1 | 20. | Stator | 1 |
| 5. | Semi-circle Key | 1 | 21. | Screw ST4x14 | 2 |
| 6. | Spring | 1 | 22. | Attachment Dip | 1 |
| 7. | Bearing 6201 | 1 | 23. | Body 1 | 1 |
| 8. | Retainer 12 | 1 | 24. | Jacket of Wire | 1 |
| 9. | Gear | 1 | 25. | Wire | 1 |
| 10. | Retainer 8 | 1 | 26. | Switch | 1 |
| 11. | Button | 1 | 27. | Body 2 | 1 |
| 12. | Impact Iron Steel | 1 | 28. | Brand | 2 |
| 13. | Brush Holder | 2 | 29. | Screw ST4x16 | 10 |
| 14. | Carbon Brush | 2 | 30. | Handle | 1 |
| 15. | Copper Cylinder | 1 | 31. | Ruler | 1 |
| 16. | Impact Blade | 1 | | | |



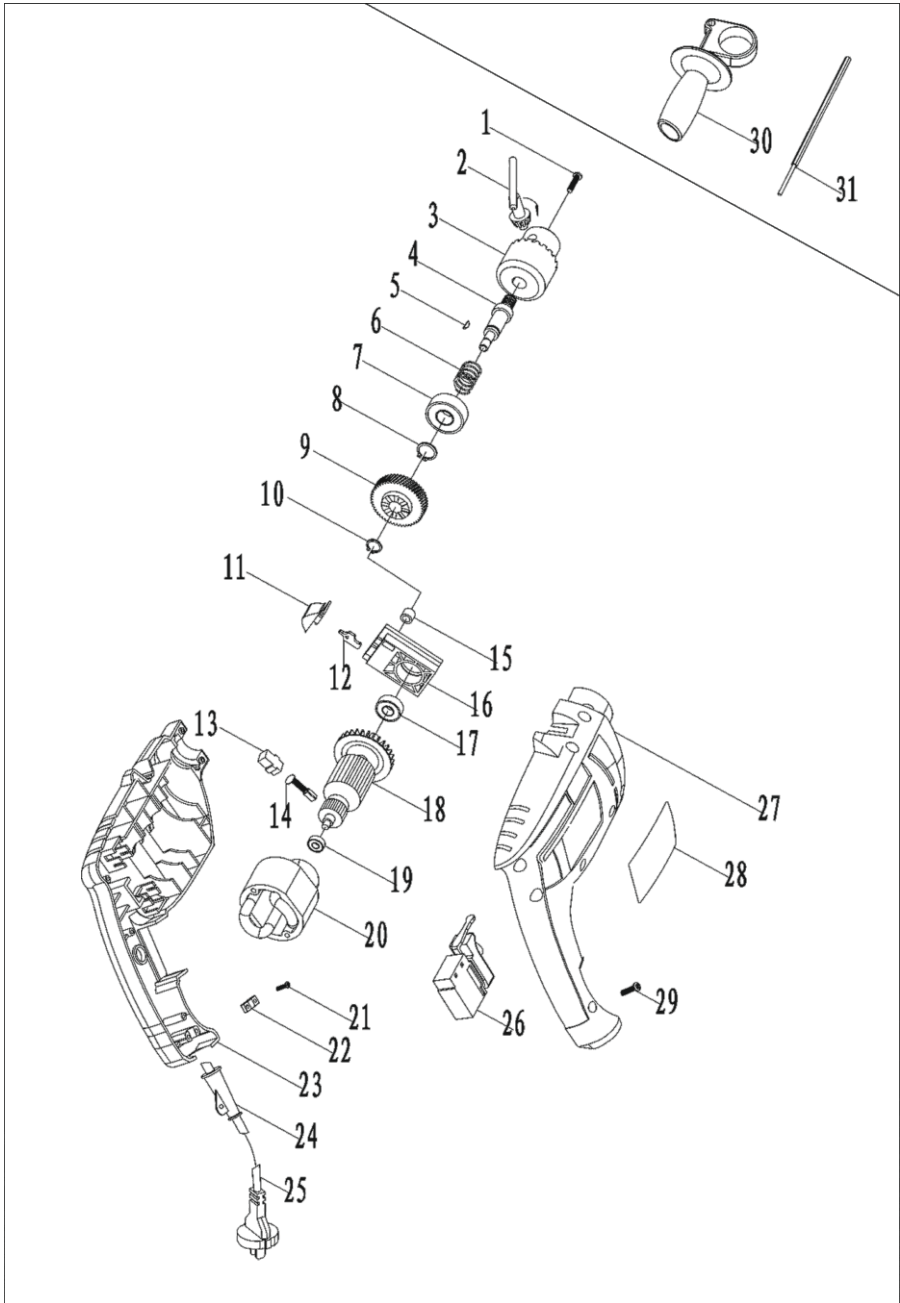
www.idealpowertools.com



فهرس قطع الغيار

| رقم | اسم | كمية | رقم | اسم | كمية |
|-----|-----------------|------|-----|------------------|------|
| 1. | M5x22LH برغي | 1 | 17. | محمل ٦٠٨ | 1 |
| 2. | مفتاح | 1 | 18. | محرك | 1 |
| 3. | ظرف | 1 | 19. | محمل ٦٢٦ | 1 |
| 4. | محور | 1 | 20. | العضو الثابت | 1 |
| 5. | مفتاح نصف دائري | 1 | 21. | ST4x14 برغي | 2 |
| 6. | زنبك | 1 | 22. | ملحق غمس | 1 |
| 7. | محمل ٦٢٠١ | 1 | 23. | الجسم ١ | 1 |
| 8. | حامل ١٢ | 1 | 24. | غلاف سلكي | 1 |
| 9. | ترس | 1 | 25. | سلك | 1 |
| 10. | حامل ٨ | 1 | 26. | مفتاح | 1 |
| 11. | زر | 1 | 27. | الجسم ٢ | 1 |
| 12. | حديد صدمي | 1 | 28. | العلامة التجارية | 2 |
| 13. | حامل فرشاة | 2 | 29. | ST4x16 برغي | 10 |
| 14. | فرشاة كربونية | 2 | 30. | مقبض | 1 |
| 15. | أسطوانة نحاسية | 1 | 31. | مسطرة | 1 |
| 16. | شفرة صدمية | 1 | | | |

ID13RF امنظر منفجر للمعرف



اضغط على زر القفل (٣) لفتح مفتاح التشغيل/ الإيقاف (E) في هذا الوضع.
الإيقاف لتشغيل الأداة الكهربائية. حرر مفتاح التشغيل/ الإيقاف (E): أو، إذا كان المفتاح مقللاً بواسطة زر القفل (٣)، اضغط لفترة وجيزة على مفتاح التشغيل/ الإيقاف (E) ثم حرره.

ضبط السرعة/ معدل التأثير
يمكنك ضبط سرعة/ معدل التأثير للأداة الكهربائية عندما تكون قيد التشغيل بالضغط على مفتاح التشغيل/ الإيقاف (E) بدرجات متفاوتة.
يؤدي الضغط الخفيف على مفتاح التشغيل/ الإيقاف (E) إلى انخفاض سرعة الدوران/ معدل التأثير. يؤدي الضغط المتزايد على المفتاح إلى زيادة السرعة/ معدل التأثير.

نصائح عملية
◀ اسحب القابض من مقبض الكهرباء قبل القيام بأي استخدام للأداة الكهربائية.
◀ قم بوضع الأداة الكهربائية على المسماة/ الصامولة فقط عندما تكون الأداة متوقفة عن التشغيل. يمكن أن تنزلق ملحقات الأداة الدوارة.


بعد العمل بسرعة منخفضة لفترة طويلة، يجب عليك تشغيل الأداة الكهربائية بالسرعة القصوى لمدة ثلاث دقائق تقريباً بدون حمل لتبريدها.
للثقب في البلاط، اضغط مفتاح الاختيار (F) على رمز "الثقب". بعد الثقب عبر البلاط، اضغط مفتاح الاختيار على رمز "الثقب بالصدمة". ثم قم بالثقب بالصدمة.
استخدم لقم الثقب الكريدي عند الثقب في الخرسانة والأحجار والأبنية.
عند الحفر في المعدن، استخدم فقط مثاقب HSS الحادة (HSS = الفولاذ عالي السرعة) بحالة ممتازة.
باستخدام أداة شحذ لقم الثقب (الملحق)، يمكنك شحذ لقم الثقب بقطر ٢-٥م -١ دون عناء.

الصيانة والخدمة

صيانة الجهاز وتنظيفه
◀ اسحب القابض من مقبض الكهرباء قبل القيام بأي استخدام للأداة الكهربائية.
◀ لضمان التشغيل الآمن والفعال، حافظ دائماً على نظافة الأداة الكهربائية وفتحات التهوية.

تعتبر بعض أنواع الغبار، مثل غبار شجر البلوط أو شجر الزان، مادة مسرطنة، خاصة فيما يتعلق بالإضافات المستخدمة في معالجة الأخشاب (الكرومات والمواد الحافظة للخشب). لا يجوز التعامل مع المواد التي تحتوي على الأسبستوس إلا بواسطة المتخصصين.
- يجب توفير التهوية الجيدة لمكان العمل.
- يوصى بارتداء جهاز تنفس من فئة المرشح P2.
الترزم باللوائح ذات الصلة في بلدك فيما يتعلق بالمواد المطلوب استخدامها.
◀ تجنب تراكم الغبار في مكان العمل. يمكن أن يشتعل الغبار بسهولة.

تغيير طرف المثقاب

◀ إذا لم تكن الأداة الكهربائية الخاصة بك تحتوي على آلية لقفل عمود دوران المثقاب، فينبغي عليك تغيير طرف المثقاب بواسطة مركز خدمة ما بعد البيع المعتمد للأدوات الكهربائية من بوش.
يجب ربط طرف المثقاب باستخدام عزم ربط يبلغ ٣٠-٣٥ نانو متر تقريباً. 



التشغيل

بدء التشغيل

◀ انتبه إلى جهد التيار الكهربائي. يجب أن يتطابق جهد مصدر الطاقة مع الجهد المبين على لوحة التصنيف الخاصة بالأداة الكهربائية.
◀ المنتجات التي تباع فقط في أستراليا ونيوزيلندا: استخدم جهاز التيار المتبقي (RCD) المزود بتيار متبقي اسمي يبلغ ٣٠ ملي أمبير أو أقل.

ضبط اتجاه الدوران (انظر الشكل د - ه)
◀ قم بتشغيل مفتاح اتجاه الدوران (ه) فقط عندما لا تكون الأداة الكهربائية قيد الاستخدام.
يستخدم مفتاح اتجاه الدوران (ه) لتغيير اتجاه دوران الأداة الكهربائية. ومع ذلك، يكون ذلك غير ممكن أثناء الضغط على مفتاح التشغيل/الإيقاف (E).
الدوران إلى الجهة اليمنى: للثقب وتثبيت البراغي، اضغط على مفتاح اتجاه الدوران (ه) إلى وضع التوقف الأيسر.
الدوران إلى الجهة اليسرى: لفك البراغي والصواميل، اضغط على مفتاح اتجاه الدوران (ه) إلى وضع التوقف الأيمن.

ضبط وضع التشغيل

الثقب وفك البراغي
اضبط مفتاح الاختيار (F) على رمز "الثقب". 
الثقب الصدمي
اضبط مفتاح الاختيار (F) على رمز "الثقب الصدمي". 

يستقر مفتاح الاختيار (F) في مكانه ويمكن تشغيله أيضاً أثناء عمل المحرك.

التشغيل/ الإيقاف
ليبدء تشغيل الأداة الكهربائية، اضغط مع الاستمرار على مفتاح التشغيل/ الإيقاف (E).

البيانات الفنية

| رقم المادة | إطار المثقاب الصدمي ١٣ ملم | المثقاب الصدمي |
|------------|----------------------------|--|
| ٢٠٢٥٨ | | |
| ٧٥٠ | وات | مدخلات الطاقة المقدرة |
| ٣٤٠ | وات | مخرجات الطاقة |
| ٣٠٠٠ | الحد الأدنى ١٠ | سرعة الاجمالي |
| ٤٨٠٠٠ | الحد الأدنى ١٠ | معدل التأثير عند سرعة اللاتخلل |
| ١.٤ | | عزم الدوران المقدر ناتومتر |
| | | الدوران في اتجاه عقارب الساعة/ عكس اتجاه عقارب الساعة |
| ٤٣ | ملي متر | قطر طوق عمود الدوران |
| | | الحد الأقصى لقطر الثقب |
| ١٣ | ملي متر | - الخرسانة |
| ١٣ | ملي متر | - احجار البناء |
| ١٠ | ملي متر | - الفولاذ |
| ٢٥ | ملي متر | - الخشب |
| ١٣٠١٥ | ملي متر | - فدره الظرف |
| ٢٠ | | الوزن وفقاً لإجراء الرابطة الأوروبية للأدوات الكهربائية (EPTA) (رقم ١٠٢٤٤) |
| | | فئة الحماية |

تتطبق المواصفات على الجهد المقتن [U] الذي يبلغ ٢٣٠ فولت. وقد تختلف هذه المواصفات باختلاف الفولتية وفي الموديلات الخاصة بكل بلد.

معلومات الضوضاء/ الاهتزاز

يتم تحديد قيم انبعاث الضوضاء وفقاً للمعيار EN 62841-2-1.

عادةً ما يكون مستوى الضوضاء المرجح A للأداة الكهربائية هو: مستوى ضغط الصوت ٩٩ ديسيبل (A); مستوى قوة الصوت ١٠٧ ديسيبل (A). عامل تغطية (K) عدم اليقين = ٥ ديسيبل.

ارتيدي حماية السمع!

القيم الإجمالية للاهتزاز "ah" (مجموع متجهات تريكس) وعامل تغطية (K) عدم اليقين المحدد وفقاً للمعيار EN 62841-2-1:

الثقب في المعدن: ah = ٥,٢ متر في الثانية المربعة. عامل التغطية (K) = ١,٥ متر في الثانية المربعة. الثقب الصدمي في الخرسانة: ah = ٢٥,٣ متر في الثانية المربعة. عامل التغطية (K) = ١,٥ متر في الثانية المربعة. تم قياس مستوى الاهتزاز وقيمة انبعاث الضوضاء الواردة في هذه التعليمات وفقاً لإجراء قياس موحدة ويمكن استخدامها لمقارنة الأدوات الكهربائية. كما يمكن استخدامها أيضاً لإجراء تقدير أولي لانبعاثات الاهتزاز والضوضاء.

يمثل مستوى الاهتزاز المحدد وقيمة انبعاث الضوضاء الاستخدامات الرئيسية للأداة الكهربائية. ومع ذلك، إذا تم استخدام الأداة الكهربائية في استخدامات أخرى، مع أدوات تشغيل مختلفة أو تمت صيانتها بشكل سيئ، فقد يختلف مستوى الاهتزاز وقيمة انبعاث الضوضاء. قد يؤدي ذلك إلى زيادة كبيرة في انبعاثات الاهتزاز والضوضاء خلال فترة العمل الإجمالية.

لتقدير انبعاثات الاهتزاز والضوضاء بدقة، يجب أيضاً الأخذ بعين الاعتبار الأوقات التي يتم فيها إيقاف تشغيل الأداة أو تشغيلها ولكن لا يتم استخدامها فعلياً. قد يؤدي ذلك إلى تقليل انبعاثات الاهتزاز والضوضاء خلال فترة العمل الإجمالية.

اتبع تدابير السلامة الإضافية للحماية من تأثيرات الاهتزاز. مثل صيانة الأداة الكهربائية وأدوات التشغيل، والحفاظ على دفة الأيدي، وتنظيم سير العمل بشكل صحيح.

التركيب

◀ اسحب القابض من مقبض الكهراء قبل القيام بأي استخدام للأداة الكهربائية.

المقبض الإضافي (انظر الشكل أ)

◀ لا تقم بتشغيل الأداة الكهربائية بدون المقبض الإضافي (٦).

يمكنك ضبط المقبض الإضافي (٦) على أي من الأوضاع الـ ١٢ لتحقيق وضعية عمل آمنة تقلل من التعب. أدر طرف الإمسك السفلي للمقبض الإضافي (٦) في اتجاه الدوران (I) وادفع المقبض الإضافي (٦) للأمام حتى تتمكن من تدويره إلى الوضع المطلوب. بعد ذلك قم بسحب المقبض الإضافي (٦) إلى الخلف مرة أخرى وأدر طرف الإمسك السفلي في اتجاه الدوران (R) لإحكام تثبيته.

تحديد عمق الثقب (انظر الشكل أ)

يمكنك استخدام حاجز العمق (V) لضبط عمق الثقب المطلوب X.

أدر طرف الإمسك السفلي للمقبض الإضافي (٦) عكس اتجاه عقارب الساعة ثم قم بضبط حاجز تحديد عمق الثقب (V).

اسحب حاجز تحديد عمق الثقب (V) إلى مسافة كافية بحيث تتوافق المسافة بين طرف لقمه الثقب وحافة حاجز العمق (V) مع عمق الثقب المطلوب X.

بعد ذلك أدر الطرف السفلي للمقبض الإضافي (٦) في اتجاه عقارب الساعة لإعادة تثبيته. يجب أن يكون الطرف المحزوز الموجود على حاجز تحديد عمق الثقب (V) متجهاً نحو الأسفل.

تغيير الأدوات

◀ قد يسخن طرف المثقاب بشكل كبير عند استخدامه لفترات طويلة.

ظرف المفتاح (انظر الشكل ب)

افتح ظرف الظرف (I) عن طريق لفه حتى يمكن إدخال الأداة. أدخل الأداة.

أدخل مفتاح ظرف المثقاب (٩) في الفتحات المقابلة لظرف المثقاب (I) وقم بتثبيت الأداة بشكل متساوي.

أدوات مفك البراغي (انظر الشكل ج)

ينبغي عليك دائماً استخدام مثبت لقم يونيفيرسال (II) عند استخدام لقم مفك البراغي (١٠). استخدم فقط لقم مفك البراغي التي تناسب رأس المسمار. بالنسبة لفك البراغي، تأكد من ضبط مفتاح اختيار الثقب/الثقب بالصدمة (F) دائماً على رمز "الثقب".

استخراج الغبار/ الفتات

يمكن أن يكون الغبار الناتج عن مواد مثل الطلاء التي تحتوي على الرصاص وبعض أنواع الخشب والمعادن ضاراً بصحة الإنسان. ويمكن أن يؤدي لمس الغبار أو استنشاقه إلى حدوث تفاعلات حساسية و/أو يؤدي إلى التهابات الجهاز التنفسي لدى المستخدم أو المارة.

اجعل دائما أدوات القطع في حالة حادة ونظيفة. إن أدوات القطع ذات حواف القطع الحادة التي يتم صيانتها بشكل صحيح تكون أقل عرضة للاتصاق ويسهل التحكم فيها.

استخدم الأداة الكهربائية وملحقاتها وأجزائها وغير ذلك وفقا لهذه التعليمات، مع مراعاة ظروف العمل وأدائه. قد يؤدي استخدام الأداة الكهربائية في عمليات غير العمليات المخصصة لها إلى حالات خطيرة.

احتفظ بمقباض الجهاز وأسطح الإمساك به جافة ونظيفة وخالية من الزيوت والشحوم. لا تسمح للمقباض وأسطح الإمساك الزلقة بالتعامل الآمن مع الأداة والتحكم فيها في المواقف غير المتوقعة.

الصيانة

قم بصيانة الأداة الكهربائية الخاصة بك عن طريق فني صيانة مؤهل باستخدام قطع الغيار المتوافقة فقط. سيضمن ذلك الحفاظ على سلامة الأداة الكهربائية.

تحذيرات السلامة الخاصة بالمشابك

تعليمات السلامة لجميع العمليات

ارتدي واقيات الأذن عند استخدام مشابك الصدم. التعرض للضوضاء يمكن أن يسبب فقدان السمع.

استخدم المقبض (المقباض) المساعدة. فقدان التحكم في الأداة يمكن أن يسبب إصابة شخصية.

أمسك الأداة الكهربائية من أسطح الإمساك المعزولة عند أداء أي أعمال قد تلامس فيها

ملحقات الخاص أو المثبتات الأسلاك المخفية أو السلك الخاص بالأداة. قد يؤدي ملاصقة ملحقات

القطع أو المثبتات لسلك "مباشر" إلى جعل الأجزاء المعدنية المكشوفة من الأداة الكهربائية "مباشرة"

ويمكن أن يتعرض مشغل الأداة لصدمة كهربائية.

تعليمات السلامة عند استخدام لقم الثقب الطويلة

لا تقم أبدًا بتشغيلها بسرعة أعلى من الحد الأقصى لسرعة لقمه الثقب. في السرعات الأعلى، من المحتمل

أن تتنثني اللقمة إذا سمح لها بالدوران بحرية دون ملاصقة قطعة العمل، مما يؤدي إلى إصابة شخصية.

ابدأ بالثقب دائمًا بسرعة منخفضة مع ملاصقة طرف لقمه الثقب لقطعة العمل. في السرعات

العالية، من المحتمل أن تتنثني اللقمة إذا سمح لها بالدوران بحرية دون ملاصقة قطعة العمل، مما يؤدي

إلى إصابة شخصية.

استخدم الضغط فقط بشكل مباشر مع اللقمة ولا تستخدم ضغطًا مفرطًا. يمكن أن تتنثني اللقمة مما

يسبب كسرها أو فقدان التحكم في الأداة، مما يؤدي إلى إصابة شخصية.

تحذيرات السلامة الإضافية

قم بإيقاف تشغيل الأداة الكهربائية على الفور إذا أصبحت أداة التشغيل محسوسة. كن مستعدًا

لتفاعلات عزم الدوران العالية التي تسبب الارتدادات. تصبح أداة التشغيل محسوسة عندما تنحسر في قطعة

العمل أو عندما تصبح أداة التشغيل محملة بشكل زائد.

أمسك الأداة الكهربائية بشكل آمن. عند ربط وفك البراغى، يتم إعداد الأداة لتفاعلات عزم الدوران العالية مؤقتًا.

تأمين قطعة العمل. يتم تثبيت قطعة العمل بأجهزة التثبيت أو منجلة بشكل أكثر أمانًا من اليد.

استخدم أجهزة الكشّف المناسبة لتحديد ما إذا كانت خطوط المرافق مخفية في منطقة العمل أو اتصل بشركة المرافق المحلية للحصول على المساعدة. يمكن أن يؤدي الاتصال بالخطوط

الكهربائية إلى نشوب حريق وصدمة كهربائية. يمكن أن يؤدي تلف خط الغاز إلى الانفجار. يؤدي اختراق خط المياه إلى تلف الممتلكات أو قد يتسبب في حدوث صدمة كهربائية.

انتظر دائمًا حتى تتوقف الأداة الكهربائية تمامًا قبل وضعها جانبًا. يمكن لأداة التشغيل أن تتعطل وتؤدي إلى فقدان التحكم في الأداة الكهربائية.

المنتجات المباعة في بريطانيا العظمى فقط:

المنتج الخاص بك مزود بقابس كهربائي معتمد من قبل A/BSI 1313 مع منصهر داخلي (معتمد من قبل اتحاد سلطات الدوائر القصيرة (ASTA) وفقًا للمعيار BS 1313). إذا لم يكن القابس مناسبًا لمناخ المقبس الخاصة بك، فيجب قطعه وتركيب قابس مناسب بدلاً منه بواسطة وكيل خدمة العملاء المعتمد. يجب أن يكون للقابس البديل نفس معدل الصمامات مثل القابس الأصلي. يجب التخلص من القابس المقطوع لتجنب خطر الصدمة المحتملة، ويجب عدم إدخاله مطلقًا في مقبس التيار الكهربائي في أي مكان آخر.

وصف ومواصفات المنتج

يرجى قراءة جميع تعليمات السلامة والتعليمات العامة. قد يؤدي عدم مراعاة تعليمات السلامة والتعليمات العامة إلى حدوث صدمة كهربائية و/أو نشوب حريق و/أو إصابة خطيرة.

يرجى مراجعة الرسوم التوضيحية الموجودة في بداية دليل التشغيل هذا.

الاستخدام المقصود

تم تصميم هذه الأداة الكهربائية للثقب بالصدمة في الطوب والخرسانة والحجر، وكذلك للثقب في الخشب والمعادن والسيراميك والبلاستيك. الأدوات ذات التحكم الإلكتروني والدوران اليمين/اليسار مناسبة أيضًا لفك البراغي وقطع أسنان اللوالب.

خصائص المنتج

يشير ترقيم خصائص المنتج إلى الرسم التخطيطي للأداة الكهربائية الموجود على صفحة الرسومات.

- (1) ظرف المفتاح
- (2) مفتاح تحديد الثقب/الثقب الصدمي
- (3) زر قفل مفتاح التشغيل/الإيقاف
- (4) مفتاح التشغيل / الإيقاف
- (5) مفتاح اتجاه الدوران
- (6) المقبض الإضافي (سطح إمساك معزول)
- (7) حاجز تحديد عمق الثقب
- (8) المقبض (سطح إمساك معزول)
- (9) مفتاح الضغط
- (10) لقمه مفك البراغي (أ)
- (11) مثبت لقمه يوتيفيرسال (أ)

أ) لا يتم تضمين الملحقات المعروضة أو الموصوفة مع المنتج بشكل قياسي. يمكنك العثور على المجموعة الكاملة من الملحقات في مجموعة الملحقات الخاصة بنا.

تعليمات السلامة

التحذيرات العامة المتعلقة بسلامة الأداة الكهربائية
A تحذير: يرجى قراءة تحذيرات السلامة والتعليمات والرسوم التوضيحية والمواصفات الموضحة مع هذه الأداة الكهربائية. قد يؤدي عدم اتباع جميع التعليمات المذكورة أدناه إلى حدوث صدمة كهربائية أو نشوب حريق و/أو إصابة خطيرة.

احتفظ بجميع التحذيرات والتعليمات للرجوع إليها في المستقبل.

يشير مصطلح "الأداة الكهربائية" الورايد في التحذيرات إلى الأداة الكهربائية (السلكية) التي تعمل بالتيار الكهربائي أو الأداة الكهربائية (اللاسلكية) التي تعمل بالبطارية.

سلامة منطقة العمل

حافظ على نظافة منطقة العمل وإضاءتها جيداً.

المناطق المليئة بالفوضى والركام أو المظلمة تسبب في وقوع الحوادث.

لا تقم بتشغيل الأدوات الكهربائية في أجواء قابلة للانفجار، مثل وجود سوائل أو غازات قابلة للاشتعال أو غبار. تُحدث الأدوات الكهربائية شرارات قد تؤدي إلى اشتعال الغبار أو الأبخرة.

أبق الأطفال والمارة بعيداً أثناء تشغيل الأداة الكهربائية. تشتت الانتباه قد يؤدي إلى فقدان التحكم في الأداة.

السلامة الكهربائية

يجب أن تتوافق مقابس أداة الطاقة مع منفذ الكهرباء. لا تقم أبداً بتعديل مقبس الكهرباء في جميع الأحوال. لا تستخدم أي مقابس ذات مواثم مع الأدوات الكهربائية (المؤرضة). ستعمل مقابس الكهرباء غير المعدلة والمنافذ المتوافقة على تقليل خطر التعرض لصدمة كهربائية.

تجنب اللمسة الجسيم للأسطح المؤرضة أو المؤرضة مثل الأنابيب والأجسام المشعة والمواد الثلجات. هناك خطر متزايد للإصابة بصدمة كهربائية إذا تلامس جسمك مع الأسطح المؤرضة.

لا تعرض الأدوات الكهربائية للمطر أو الظروف الرطبة. يؤدي دخول الماء إلى الأداة الكهربائية إلى زيادة خطر التعرض لصدمة كهربائية.

لا تسبب استخدام سلك الجهاز. لا تستخدم أبداً السلك لحمل الأداة الكهربائية أو سحبها أو فصلها. أبق السلك بعيداً عن مصادر الحرارة أو الزيت أو الحواف الحادة أو الأجزاء المتحركة. تزيد الأسلاك التالفة أو المتشابكة من خطر التعرض لصدمة كهربائية.

عند تشغيل الأداة الكهربائية في الخارج، استخدم سلك تمديد مناسب للاستخدام الخارجي. استخدام سلك مناسب للاستخدام الخارجي يقلل من خطر التعرض لصدمة كهربائية.

إذا كان تشغيل الأداة الكهربائية في مكان رطب أمر لا مفر منه، يرجى استخدام مصدر حماية بجهاز التيار المتبقي (RCD). استخدام جهاز التيار المتبقي للحد من خطر الصدمة الكهربائية.

السلامة الشخصية

كن حذراً وراقب ما تفعله واستخدم الحيطه عند تشغيل الأداة الكهربائية. لا تستخدم الأداة الكهربائية وأنت متعب أو تحت تأثير المخدرات أو الكحول أو الأدوية. قد تؤدي لحظات عدم الانتباه أثناء تشغيل الأدوات الكهربائية إلى حدوث إصابة شخصية خطيرة.

استخدم معدات الحماية الشخصية. ارتدي دائماً

حماية العين. سوف تقلل معدات الحماية مثل قناع الغبار وأحذية السلامة المضادة للانزلاق والبقعة الضلعية أو أدوات حماية السمع المستخدمة في الظروف المناسبة من الإصابات الشخصية.

منع البدء غير المقصود. تأكد من أن المفتاح في وضع إيقاف التشغيل قبل توصيل الأداة بمصدر الطاقة و/أو مجموعة البطارية، أو قبل التقاط الأداة أو حملها. إن حمل الأدوات الكهربائية وإصبعك على المفتاح أو توصيلها بالطاقة والمفتاح قيد التشغيل يؤدي إلى وقوع حوادث.

قم بإزالة أي مفتاح ضبط أو مفتاح ربط قبل تشغيل الأداة الكهربائية. قد يؤدي ترك مفتاح الربط أو المفتاح المتصل بالجزء الدوار من الأداة الكهربائية إلى حدوث إصابة شخصية.

لا تتأخّر في استخدام الجهاز. حافظ على ثبات قدميك وتوازلك في جميع الأوقات. يمنحك ذلك تحكماً أفضل في الأداة الكهربائية في الأوضاع غير المتوقعة.

ارتدي الملابس المناسبة. لا ترتدي الملابس الفضفاضة أو مجوهرات. أبعِد شعرك وملابسك عن الأجزاء المتحركة. حيث إن الملابس الفضفاضة أو المجوهرات أو الشعر الطويل يمكن أن يعلق بالأجزاء المتحركة.

إذا تم توفير أجهزة توصيل مرافق استخراج وجمع الغبار، فتأكد من توصيلها واستخدامها بشكل صحيح. يمكن أن يؤدي استخدام جمع الغبار إلى تقليل المخاطر المرتبطة بالغبار.

لا تدع المعرفة المكتسبة من الاستخدام المتكرر للأدوات تسمح لك بالإعجاب بنفسك وتجاهل مبادئ السلامة الخاصة بالأدوات. قد يؤدي التصرف المتهور إلى إصابة خطيرة خلال جزء من الثانية.

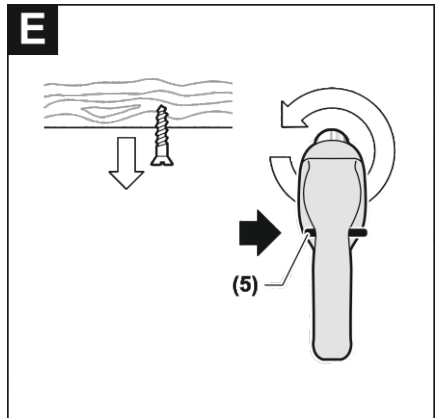
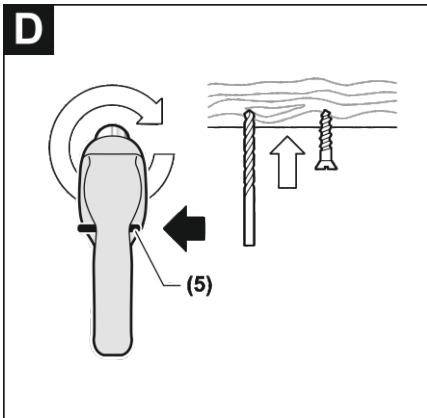
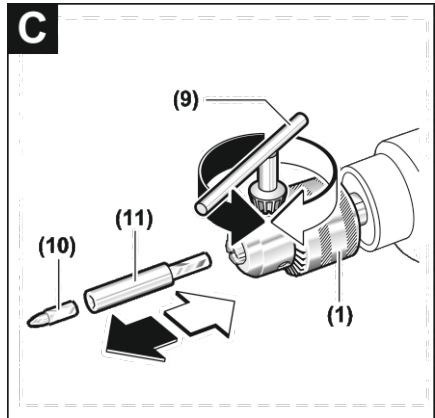
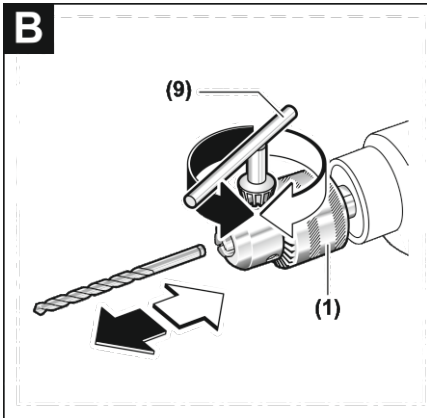
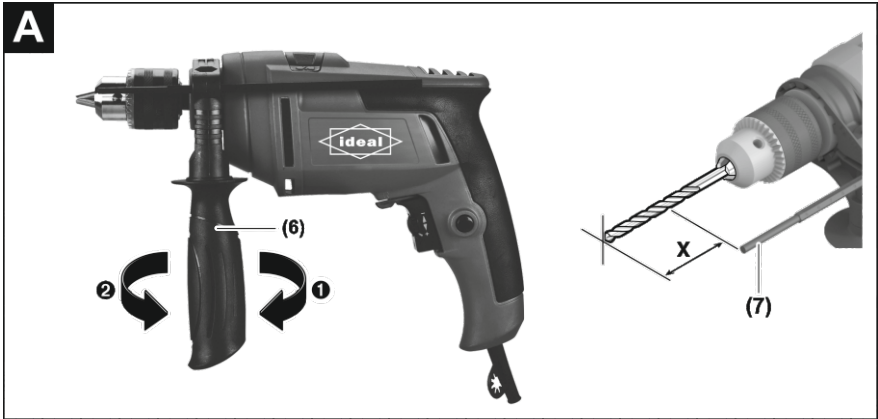
استخدم الأدوات الكهربائية والعناية بها
لا تستخدم القوة المفرطة في التعامل مع الأداة الكهربائية. استخدم أداة الطاقة الصحيحة للاستعمال الخاص بك. ستقوم الأداة الكهربائية الصحيحة بالمهمة بشكل أفضل وأكثر أماناً بالمعدل الذي تم تصميمها من أجله.

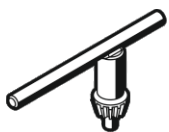
لا تستخدم الأداة الكهربائية إذا كان المفتاح لا يقوم بتشغيلها وإيقاف تشغيلها. تعتبر أي أداة كهربائية لا يمكن التحكم فيها بالمفتاح خطرة ويجب إصلاحها.

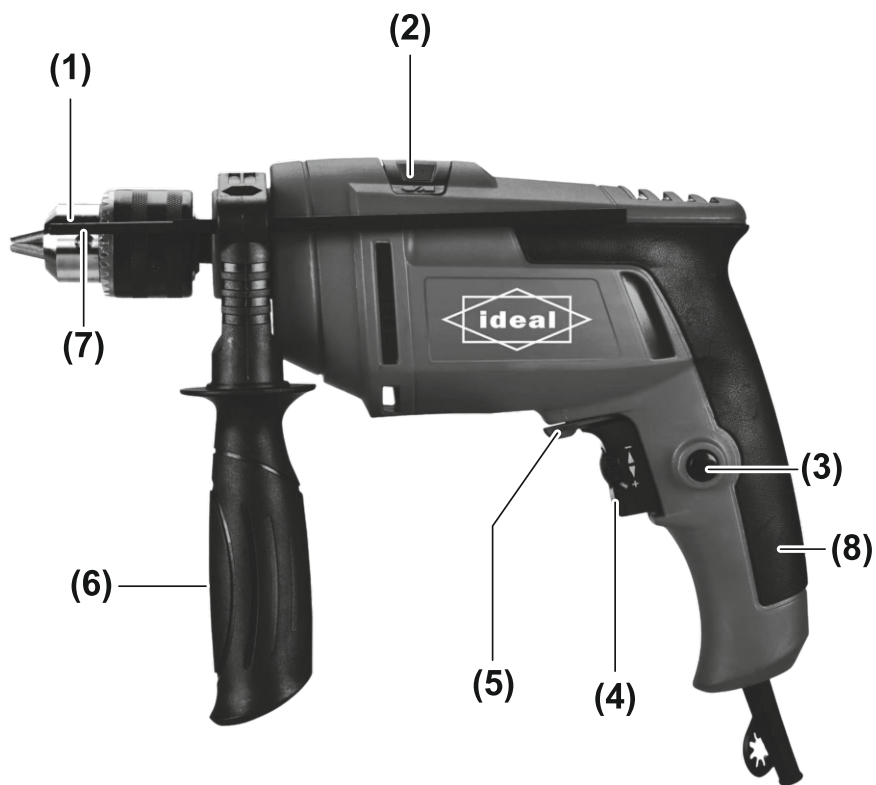
أفضل القابيس من مصدر الكهرباء و/أو قم بإزالة مجموعة البطارية، إذا كانت قابلة للفصل، من الأداة الكهربائية قبل إجراء أي تعديلات أو تغيير الملحقات أو تخزين الأداة الكهربائية. تعمل تدابير السلامة الوقائية هذه على تقليل مخاطر تشغيل الأداة الكهربائية عن طريق الخطأ.

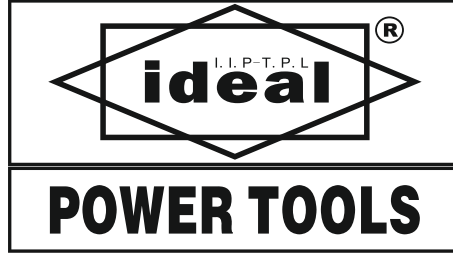
قم بتخزين الأدوات الكهربائية غير المستخدمة بعيداً عن متناول الأطفال ولا تسمح للأشخاص غير المعتادين على الأداة الكهربائية أو هذه التعليمات بتشغيل الأداة الكهربائية. تعتبر الأدوات الكهربائية خطيرة في أيدي المستخدمين غير المدربين.

صيانة الأداة الكهربائية وملحقاتها. تحقق من عدم محاذاة أو ربط الأجزاء المتحركة أو كسر الأجزاء أو أي حالة أخرى قد تؤثر على تشغيل الأداة الكهربائية. في حالة تلفها، قم بإصلاح الأداة الكهربائية قبل الاستخدام. تحدث العديد من الحوادث بسبب سوء صيانة الأدوات الكهربائية.



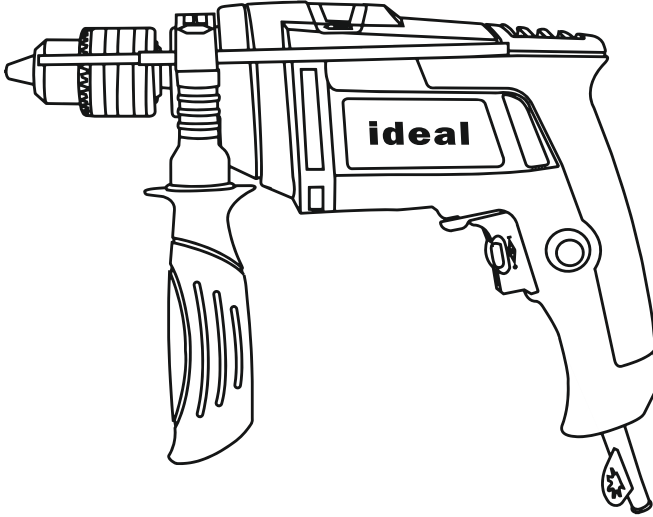






تدريب التأثير ID ID13RF

رقم القطعة: ٢.٢٥٨



اقرأ وفهم هذه التعليمات بعناية قبل الاستخدام.

تعليمات التشغيل