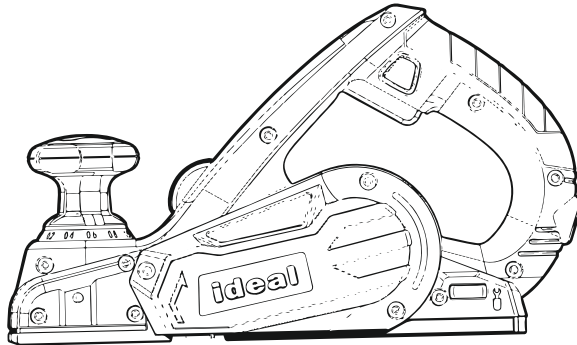


ELECTRIC PLANER

Original Operating Instructions

ID EPU82X2
Part No: 28847



To reduce the risk of injury, the user must read and understand the Operator's Manual before using this product. Save these instructions for future reference.



Explanation of symbols



Refer to instruction manual/booklet



Wear protective gloves



Use ear protection



Use eye protection



Wear a mask



Double insulation



The product meets the safety requirements of the relevant European Union legislation directives.



The product meets the safety requirements of the relevant directives of the legislation of the Republic of Serbia.

GENERAL SAFETY INSTRUCTIONS

General Power Tool Safety Warnings



WARNING! Read all safety warnings, instructions, illustrations and specifications provided with this power tool. *Failure to follow all instructions listed below may result in electric shock, fire and/or serious injury. Save all warnings and instructions for future reference. The term "power tool" in the warnings refers to your mainsoperated (corded) power tool or battery-operated (cordless) power tool.*

1) Work area safety

- a) **Keep work area clean and well lit.** *Cluttered or dark areas invite accidents.*
- b) **Do not operate power tools in explosive atmospheres, such as in the presence of flammable liquids, gases or dust.** *Power tools create sparks which may ignite the dust or fumes.*
- c) **Keep children and bystanders away while operating a power tool.** *Distractions can cause you to lose control.*

2) Electrical safety

- a) **Power tool plugs must match the outlet. Never modify the plug in any way. Do not use any adapter plugs with earthed (grounded) power tools.** *Unmodified plugs and matching outlets will reduce risk of electric shock.*
- b) **Avoid body contact with earthed or grounded surfaces, such as pipes, radiators, ranges and refrigerators.** *There is an increased risk of electric shock if your body is earthed or grounded.*
- c) **Do not expose power tools to rain or wet conditions.** *Water entering a power tool will increase the risk of electric shock.*
- d) **Do not abuse the cord. Never use the cord for carrying, pulling or unplugging the power tool. Keep cord away from heat, oil, sharp edges or moving parts.** *Damaged or entangled cords increase the risk of electric shock.*
- e) **When operating a power tool outdoors, use an extension cord suitable for outdoor use.** *Use of a cord suitable for outdoor use reduces the risk of electric shock.*
- f) **If operating a power tool in a damp location is unavoidable, use a residual current device (RCD) protected supply.** *Use of an RCD reduces the risk of electric shock.*

3) Personal safety

- a) **Stay alert, watch what you are doing and use common sense when operating a power tool. Do not use a power tool while you are tired or under the influence of drugs, alcohol or medication. A moment of inattention while operating power tools may result in serious personal injury.**
- b) **Use personal protective equipment. Always wear eye protection. Protective equipment such as a dust mask, non-skid safety shoes, hard hat or hearing protection used for appropriate conditions will reduce personal injuries.**
- c) **Prevent unintentional starting. Ensure the switch is in the off-position before connecting to power source and/or battery pack, picking up or carrying the tool. Carrying power tools with your finger on the switch or energising power tools that have the switch on invites accidents.**
- d) **Remove any adjusting key or wrench before turning the power tool on. A wrench or a key left attached to a rotating part of the power tool may result in personal injury.**
- e) **Do not overreach. Keep proper footing and balance at all times. This enables better control of the power tool in unexpected situations.**
- f) **Dress properly. Do not wear loose clothing or jewellery. Keep your hair and clothing away from moving parts. Loose clothes, jewellery or long hair can be caught in moving parts.**
- g) **If devices are provided for the connection of dust extraction and collection facilities, ensure these are connected and properly used. Use of dust collection can reduce dust-related hazards.**
- h) **Do not let familiarity gained from frequent use of tools allow you to become complacent and ignore tool safety principles. A careless action can cause severe injury within a fraction of a second.**

4) Power tool use and care

- a) **Do not force the power tool. Use the correct power tool for your application. The correct power tool will do the job better and safer at the rate for which it was designed.**
- b) **Do not use the power tool if the switch does not turn it on and off. Any power tool that cannot be controlled with the switch is dangerous and must be repaired.**
- c) **Disconnect the plug from the power source and/or remove the battery pack, if detachable, from the power tool before making any adjustments, changing accessories, or storing power tools. Such preventive safety measures reduce the risk of starting the power tool accidentally.**

- d) **Store idle power tools out of the reach of children and do not allow persons unfamiliar with the power tool or these instructions to operate the power tool.** *Power tools are dangerous in the hands of untrained users.*
 - e) **Maintain power tools and accessories. Check for misalignment or binding of moving parts, breakage of parts and any other condition that may affect the power tool's operation. If damaged, have the power tool repaired before use.** *Many accidents are caused by poorly maintained power tools.*
 - f) **Keep cutting tools sharp and clean.** *Properly maintained cutting tools with sharp cutting edges are less likely to bind and are easier to control.*
 - g) **Use the power tool, accessories and tool bits etc. in accordance with these instructions, taking into account the working conditions and the work to be performed.** *Use of the power tool for operations different from those intended could result in a hazardous situation.*
 - h) **Keep handles and grasping surfaces dry, clean and free from oil and grease.** *Slippery handles and grasping surfaces do not allow for safe handling and control of the tool in unexpected situations.*
- 5) Service**
- a) **Have your power tool serviced by a qualified repair person using only identical replacement parts.** *This will ensure that the safety of the power tool is maintained.*

Planer safety warnings

Wait for the cutter to stop before setting the tool down. *An exposed rotating cutter may engage the surface leading to possible loss of control and serious injury.*

Hold the power tool by insulated gripping surfaces, because the cutter may contact its own cord. *Cutting a "live" wire may make exposed metal parts of the power tool "live" and could give the operator an electric shock.*

Use clamps or another practical way to secure and support the workpiece to a stable platform. *Holding the workpiece by your hand or against the body leaves it unstable and may lead to loss of control.*

Additional safety information and tips

- Remove the plug from the socket before carrying out any adjustment, servicing or maintenance.
- Fully unwind extension cords to avoid potential overheating.
- When an extension cord is required, please ensure it has the correct ampere rating for the power tool and that it is in a safe electrical condition.

- Ensure the supply voltage is same as rating voltage.
- The tool is double insulated for additional protection against a possible electrical insulation failure within the tool.
- After long working periods, external metal parts and accessories could be hot.
- Wear eye protection when operating this tool.
- Always check the workpiece before operation and remove any obstructions such as nails, staples, screws, string, rags, cloths and other debris. Do not cut into nails, screws or other metal objects.
- Check the position of power cables before commencing work ensuring they are well away from the work area.
- Do not use worn or damaged planer blades. This may result in motor overload and substandard work.
- Keep hands and other body parts well away from the blades while the planer is in use. Do not attempt to remove cut material whilst the planer is in operation or reach underneath for any reason.
- Keep fingers and hands well away from the dust extraction outlet whilst the tool is in use.

WARNING!

Some dust created by power Planing, cutting and other construction activities contains chemicals known to cause cancer, birth defects or other reproductive harm. Some examples of these chemicals are:

- Lead from lead-based paints
- Crystalline silica from bricks and cement and other masonry products
- Arsenic and chromium from chemically-treated lumber

Your risk from these exposures varies, depending on how often you do this type of work. To reduce your exposure to these chemicals: work in a well-ventilated area, and work with approved safety equipment, such as those dust masks that are specially designed to filter out microscopic particles.

Emergency

Familiarise yourself with the use of this product by means of this instruction manual. Memorise the safety directions and follow them to the letter. This will help to prevent risks and hazards.

1. Always be alert when using this product, so that you can recognise and handle risks early. Fast intervention can prevent serious injury and damage to property.
2. Switch off and disconnect from the power supply if there is any malfunction. Have the product checked by a qualified specialist and repaired, if necessary, before you put it into operation again.

Health Surveillance

All employees should be part of an employer's health surveillance scheme to help identify any vibration related diseases at an early stage, prevent disease progression and help employees stay in work.

Residual risks

Even if you are operating this product in accordance with all the safety requirements, potential risks of injury and damage remain. The following dangers can arise in connection with the structure and design of this product:

1. Health defects resulting from vibration emission if the product is being used over long periods of time or not adequately managed and properly maintained.
2. Injuries and damage to property due to broken application tools or the sudden impact of hidden objects during use.
3. Danger of injury and property damage caused by flying objects.

WARNING!

This product produces an electromagnetic field during operation! This field may under some circumstances interfere with active or passive medical implants! To reduce the risk of serious or fatal injury, we recommend persons with medical implants to consult their doctor and the medical implant manufacturer before operating this product!

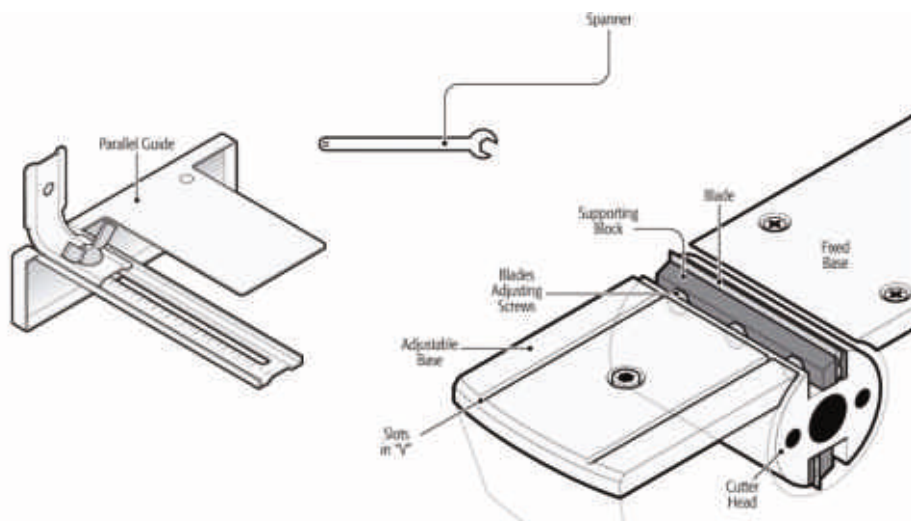
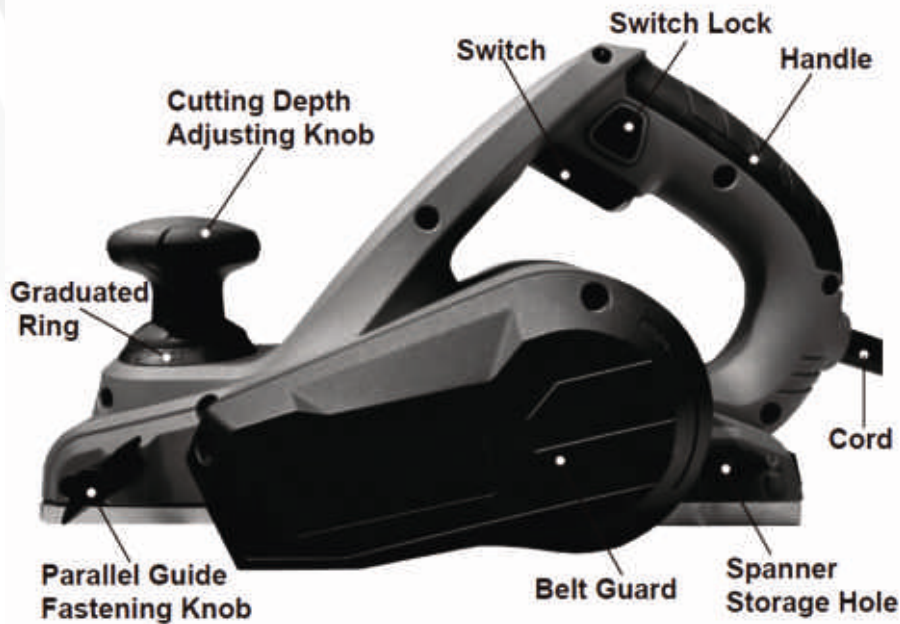
Important note

Be sure the supply is the same as the voltage given on the rating plate. Remove the mains plug before carrying out any adjustment or servicing.

Intended use

This planer is designed for planing wood surfaces or similar materials, and removing old paint with the exception of any other material having risk ignition, explosion or release of hazardous or dangerous to the user or the environment.

COMPONENTS





TECHNICAL DATA

Model	ID EPU82X2
Rated voltage	220V-240V~ 50Hz /60Hz
Rated power	650W
No load speed	17500 /min
Max depth of cut	2 mm
Max width of cut	82 mm

ACCESSORIES

The machine comes with the following accessories:

- Guide Book (1 Pcs)
- Wrench (1 Pcs)
- Dust Bag (1 Pcs)
- Edge Guide (1 Pcs)
- HSS Planer Blade (2 Pair)
- Extra Carbon Brush (1 Pair)
- Extra-Long 2.5m Power Cord Attached

BEFORE USE

Before making assembly, changing and adjustment for any accessory, disconnect the tool from the mains supply to avoid any unintentional starting.

Please always check the mains supply voltage before use! It must correspond with the rating label on the appliance.

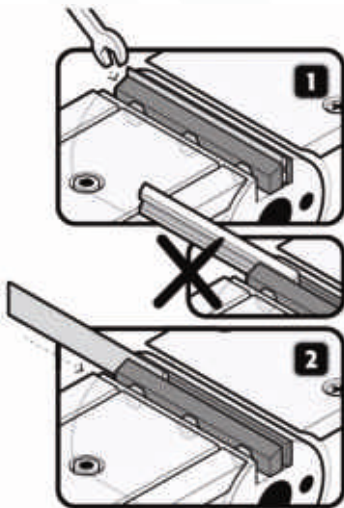
Remove any packing material and loose parts from unit.

Check the accessories before use. It should be fit with the machine and your purpose.

Never use any damaged or deformed blade in planer.

Check the blade before use. It must be fixed correctly.

ASSEMBLY



Blades Set Up

1. To remove the blades, loosen the screws and lift the blades as shown in the figure 1.
2. Slide the blade trough the support block in the cutter head as shown in the figure 2.
3. Tighten evenly the three adjusting screws. Remember, a loose screw can be extremely dangerous. Double-check regularly for tightness
4. Repeat the same procedure with the second blade.

CAUTION!

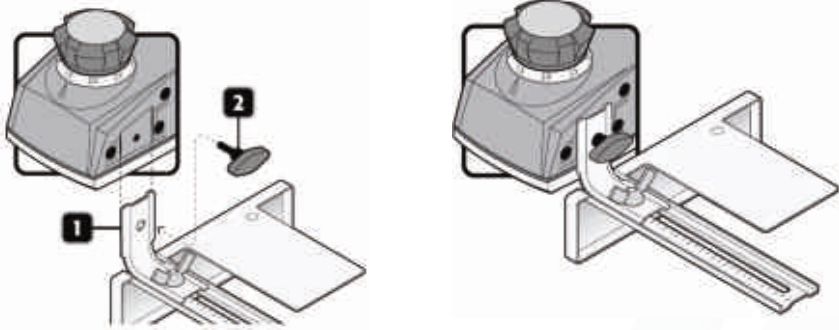
Before setting up the blades, turn off and disconnect the tool. Remove all shavings or any debris from the cutter head. Use clean blades having the same dimension and weight. Otherwise the cutter head will oscillate and shake making a deficient planing or causing the machine to break.

The blades are sharp on both sides. If one side gets dull or wears out, turn it around and use the second sharp side. When both sides are dull, replace blades, do not try to sharpen the blades

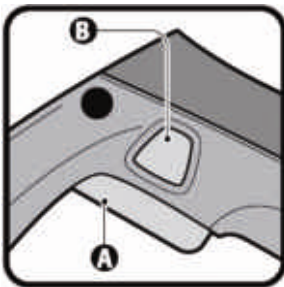
When replacing blades, change both blades simultaneously. Otherwise the vibrations produced shorten the useful life of the blades and tool.

5. Blades shall be adjusted so that the cutting edge is level to the fixed base height.

Parallel Guide Set Up



START UP



Start and operation Control

- Connect the plug into the power outlet.
- Keep the switch lock (B) pressed to unblock the switch (A). The switch lock prevents from accidentally starting up the tool.
- Press the switch (A) to start the cutter head in motion.
- To stop the cutter head, release the switch (A)



Cutting Depth Adjustment

- To make the adjustable base reach the desired height, turn the cutting depth-adjusting knob until the measure in millimeters indicated in the knob's graduated ring matches the triangular mark.
- To determine precise cutting depths, plan a piece of scrap wood, measure the thickness difference and adjust to the needed value.



Chip ejection

Fasten the dust bag in the direction of the arrow to the shavings exhaust before using this planer. When the dust bag is full, please clean it in time before continuing to use. This planer can not be connected to the vacuum cleaner directly. Please keep the dust bag clean. This will make a safer and cleaner work place.



1. Start 2.End

Planning

Hold the tool firmly with one hand on the knob and the other hand on the switch handle when performing the tool.

First, rest the tool front base flat upon the workpiece surface without the blades making any contact. Switch on and wait until the blades attain full speed. Then move the tool gently forward. Apply pressure on the front of tool at the start of planing, and at the back at the end of planing. Planing will be easier if you incline the workpiece in stationary fashion, so that you can plane somewhat downhill. The speed and depth of cut determine the kind of finish. The power planer keeps cutting at a speed that will not result in jamming by chips. For rough cutting, the depth of cut can be increased, while for a good finish you should reduce the depth of cut and advance the tool more slowly.



Rabbeting

To make a stepped cut as shown in the figure, use the edge fence (guide ruler).



1. Blade edge 2. Cutting line



Adjust the edge fence until it comes in contact with the side of the workpiece, then secure it by tightening the screw.

1. Screw 2. Edge fence



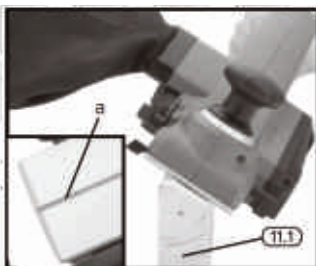
When planing, move the tool with the edge fence flush with the side of the workpiece. Otherwise uneven planing may result.



Maximum rabbeting depth is 8 mm.



You may wish to add to the length of the fence by attaching an extra piece of wood. Convenient holes are provided in the fence for this purpose, and also for attaching an extension guide (optional accessory).



Chamfering

The V-groove (a) in the front sole plate is used for chamfering. Place the planer with the V-groove on the edge of the workpiece(11.1). push the planer slowly and evenly forward along the edge

CAUTION!

An extremely fast pass of the tool may produce bad quality cuts and will damage the blades or the motor. If the movement is too slow, you may burn or damage the cut.

The right advancing speed will be dependent of the type of material being used and the cutting depth. Before planning the work piece, make some tests using a piece of scrap wood to gauge the right speed and the dimensions of the cut.

WARNING!

Secure the work piece using clamps to prevent accidents and defects in the cut.

MAINTENANCE

WARNING: To prevent serious injury from accidental operation, make sure that the planer is turned off and unplugged from power source before installation, cleaning and maintenance operations.

WARNING: Preventive maintenance performed by unauthorized personnel may result in misplacing of internal wires and components, possibly causing a serious hazard.

CLEANING

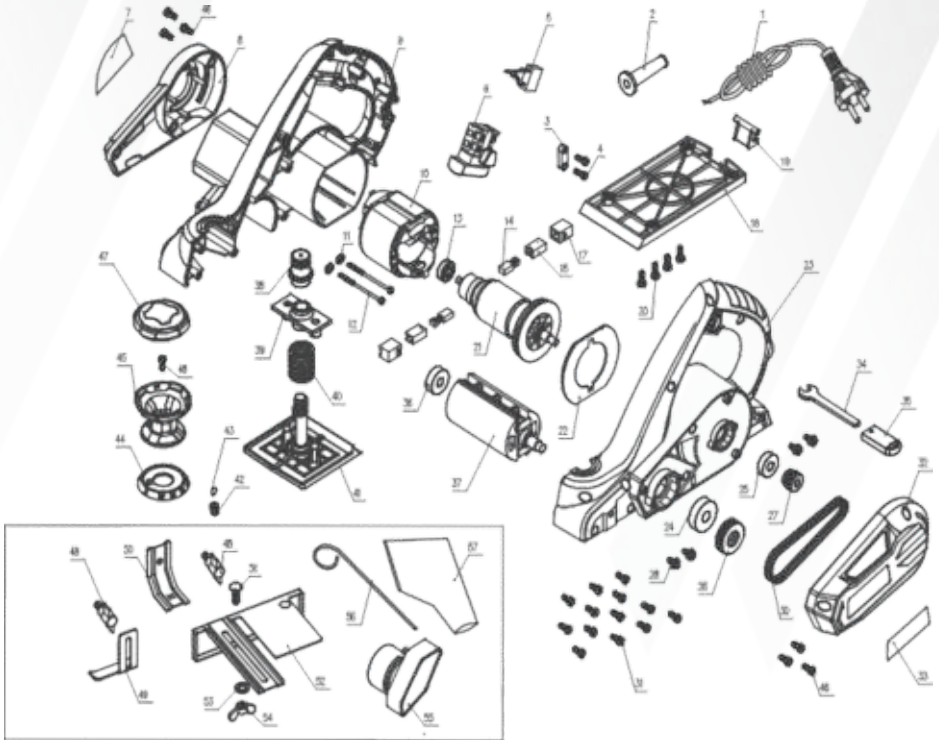
Keep the planer clean of any wood chips, dust, dirt or debris. Ventilation openings and switch levers must be kept clean and free of foreign matter. The tool may be cleaned most effectively with compressed dry air. Always wear safety goggles when cleaning tools with compressed air. Do not attempt to clean these components by inserting pointed objects through openings.

WARNING: Certain cleaning agents and solvents damage plastic parts. Some of these are: gasoline, carbon tetrachloride, chlorinated cleaning solvents, ammonia and household detergents that contain ammonia.

ENVIRONMENTAL PROTECTION



This product is marked with the selective sorting symbol on waste electrical and electronic equipment. This means that this product should not be disposed of with household waste but must be supported by a collection system in accordance with Directive 2002/96/EC. It will then be recycled or dismantled to minimize impacts on the environment, electrical and electronic products are potentially hazardous to the environment and human health due to the presence of hazardous substances.



Part No.	Part Name.	Qty.
1	cord	1
2	cord sleeve	1
3	cord clip	1
4	self-tapping screw	2
5	capacitor	1
6	switch	1
7	trade mark	1
8	right guard	1
9	right housing	1
10	stator assembly	1
11	flat gasket	2
12	self-tapping screw	1
13	ball bearing	1
14	carbon brush	2
15	copper brush holder	2

17	brush carrier	2
18	fixed base	1
19	support frame for blade	1
20	self-tapping screw	4
21	rotor	1
22	wind guide	1
23	left housing	1
24	ball bearing	1
25	ball bearing	1
26	driven wheel	1
27	main drive wheel	1
28	self-tapping screw	4
30	drive belt	1
31	self-tapping screw	13
32	left guard	1
33	label	1
34	spanner	1
35	spanner cover	1
36	ball bearing	1
37	cutter assembly	1
38	nut sleeve	1
39	regulating holder	1
40	spring	1
41	adjustable base	1
42	little spring	1
43	steel ball	1
44	dial	1
45	adjusting knob	1
46	self-tapping screw	7
47	adjusting knob cover	1
48	Fixed knob	2
49	depth scale	1
50	fixed bracket	1
51	bolt	1
52	parallel guide	1
53	washer	1
54	wing nut	1
55	connector for dust bag	1
56	braket for dust bag	1
57	dust bag	1

تحذير!

قد يؤدي التمرير السريع للغاية للأداة إلى حدوث قطع رديء الجودة وسيؤدي إلى تلف الشفرات أو المحرك. إذا كانت الحركة بطيئة؛ فقد تحرق الجرح أو تتلفه.
تعتمد سرعة التقدم اليمنى على نوع المادة المستخدمة وعمق القطع. قبل التخطيط لقطعة العمل، قم بإجراء بعض الاختبارات باستخدام قطعة من الخردة الخشبية لقياس السرعة المناسبة وأبعاد القطع.

تحذير!

قم بتأمين قطعة العمل باستخدام مشابك لمنع الحوادث والعيوب في القطع.

الصيانة

تحذير: لمنع حدوث إصابة خطيرة من التشغيل العرضي، تأكد من إيقاف تشغيل المقشطة وفصله عن مصدر الطاقة قبل عمليات التركيب والتنظيف والصيانة.

تحذير: قد تؤدي الصيانة الوقائية التي يقوم بها موظفون غير مصرح لهم إلى وضع الأسلاك والمكونات الداخلية في غير مكانها، مما قد يتسبب في خطر جسيم.

التنظيف

حافظ على المقشطة نظيفًا من أي رقائق خشبية أو غبار أو أوساخ أو بقايا. يجب الحفاظ على فتحات التهوية وأذرع التبديل نظيفة وخالية من المواد الغريبة. يمكن تنظيف الأداة بشكل أكثر فعالية بالهواء الجاف المضغوط. احرص دائمًا على ارتداء نظارات السلامة عند تنظيف الأدوات بالهواء المضغوط. لا تحاول تنظيف هذه المكونات عن طريق إدخال أشياء مدببة من خلال الفتحات.

تحذير: تتسبب بعض مواد التنظيف والمذيبات في تلف الأجزاء البلاستيكية. بعض هذه المواد: البنزين ورابع كلوريد الكربون ومذيبات التنظيف الكلورة والأمونيا والمنظفات المنزلية التي تحتوي على الأمونيا.

حماية البيئة

يتم تمييز هذا المنتج برمز الفرز الانتقائي على نفايات المعدات الكهربائية والإلكترونية. وهذا يعني أنه لا ينبغي التخلص من هذا المنتج مع النفايات المنزلية ولكن يجب أن يكون مدعومًا بنظام جمع وفقًا للتوجيه EC/96/2002. ويتم بعد ذلك إعادة تدويرها أو تفكيكها لتقليل التأثيرات على البيئة، والمنتجات الكهربائية والإلكترونية يحتمل أن تكون خطرة على البيئة وصحة الإنسان بسبب وجود مواد خطرة.



اضبط سياج الحافة حتى يتلامس مع جانب قطعة العمل، ثم قم بتثبيتته بإحكام البرغي.



١. برغي ٢ سياج الحافة

عند القشط، حرك الأداة بحيث يكون سياج الحافة ممتلئًا بجانب قطعة العمل. وإلا فقد ينتج عن ذلك تخطيط غير متساوٍ.



الحد الأقصى لعمق الفرزة ٨ مم.

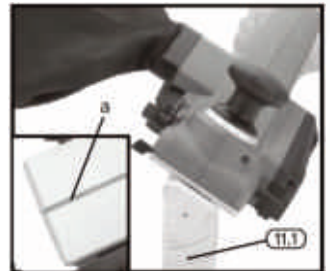


قد ترغب في زيادة طول السياج عن طريق إرفاق قطعة إضافية من الخشب. يتم توفير ثقب مريحة في السياج لهذا الغرض، وكذلك لتوصيل دليل التمديد (ملحق اختياري).



الشطب

يُستخدم الأخدود على شكل حرف V (أ) في صفحة النعل الأمامية للشطب. ضع المشطبة مع وجود الأخدود على شكل حرف V على حافة قطعة العمل (١١.١). ادفع المشطبة ببطء وبشكل متساوٍ للأمام على طول الحافة



إخراج الشريحة

اربط كيس الغبار في اتجاه السهم إلى عادم النشارة قبل استخدام المسطح. عندما يكون كيس الغبار ممتلئاً، يرجى تنظيفه في الوقت المناسب قبل الاستمرار في الاستخدام. لا يمكن توصيل هذه المقشطة بالمكنسة الكهربائية مباشرة. يرجى الحفاظ على كيس الغبار نظيفاً. هذا سيجعل مكان العمل أكثر أماناً ونظافة.



القشط

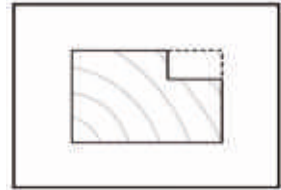
امسك الأداة بإحكام بإحدى يديك على المقبض واليد الأخرى على مقبض المفتاح عند تشغيل الأداة. أولاً، ضع قاعدة الأداة الأمامية مسطحة على سطح قطعة العمل دون أن تتلامس الشفرات. قم بتشغيله وانتظر حتى تصل الشفرات إلى السرعة القصوى. ثم حرك الأداة برفق للأمام. اضغط على الجزء الأمامي من الأداة في بداية القشط، وعلى الجزء الخلفي في نهاية القشط. وسيكون القشط أسهل إذا قمت بإمالة قطعة العمل بطريقة ثابتة، بحيث يمكنك الانحدار إلى حد ما. كما تحدد سرعة وعمق القطع نوع التشطيب. تستمر المقشطة الكهربائية في القطع بسرعة لن تؤدي إلى التشويش بواسطة الشرائح. بالنسبة للقطع الخشن، يمكن زيادة عمق القطع، بينما للحصول على لمسة نهائية جيدة، يجب عليك تقليل عمق القطع ودفع الأداة ببطء أكبر.



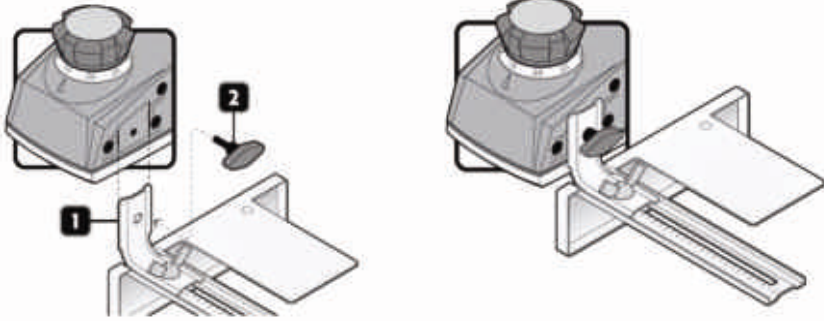
١. البداية ٢. النهاية

الفرزة

لعمل قطع مندرج كما هو موضح في الشكل، استخدم سياج الحافة (مسطرة الإرشاد). ارسم خط قطع على قطعة العمل. أدخل سياج الحافة في الفتحة الموجودة في الجزء الأمامي من الأداة. قم بمحاذاة حافة الشفرة مع خط القطع.



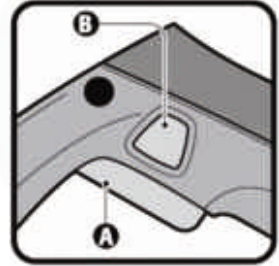
١. حافة الشفرة ٢. خط القطع



بدء التشغيل

التحكم في بدء التشغيل والعمل

- قم بتوصيل القابس بمأخذ الطاقة.
- استمر في الضغط على قفل المفتاح (ب) لإلغاء قفل المفتاح (أ).
- يمنع قفل المفتاح من بدء تشغيل الأداة عن طريق الخطأ.
- اضغط على المفتاح (ب) لبدء حركة رأس القاطعة.
- لإيقاف رأس القاطع، حرر المفتاح (أ).



تعديل عمق القطع

- لجعل القاعدة القابلة للتعديل تصل إلى الارتفاع المطلوب، أدر مقبض ضبط عمق القطع حتى يتطابق القياس بالمليمترات المشار إليه في حلقة المقبض المتدرجة مع العلامة المثلثة.
- لتحديد أعماق القطع الدقيقة، قم بتخطيط قطعة من خردة الخشب، وقياس فرق السماكة والتكيف مع القيمة المطلوبة.



قبل الاستخدام

قبل إجراء التجميع والتغيير والتعديل لأي ملحق، افصل الماكينة عن مصدر التيار الكهربائي لتجنب أي بدء غير مقصود.

يرجى التحقق دائماً من جهد إمداد التيار الكهربائي قبل الاستخدام! يجب أن يتوافق مع ملصق التصنيف الموجود على الجهاز.

قم بإزالة أي مواد تغليف وقطع مفكوكة من الوحدة.

افحص الملحقات قبل الاستخدام. يجب أن يتناسب مع الآلة والغرض الخاص بك.

لا تستخدم أبداً أي شفرة تالفة أو مشوهة في المشطية.

افحص الشفرة قبل الاستخدام. يجب إصلاحها بشكل صحيح.

التركيب

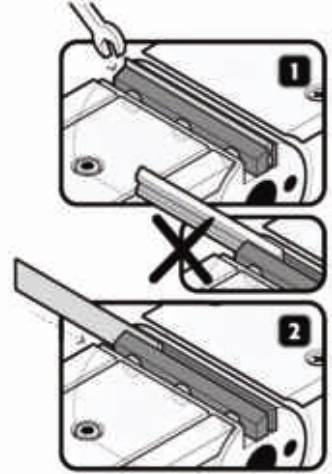
إعداد الشفرات

١. لإزالة الشفرات، قم بفك البراغي وارفع الشفرات كما هو موضح في الشكل ١.

٢. حرك الشفرة من خلال كتلة الدعم في رأس القاطع كما هو موضح في الشكل ٢.

٣. اربط مسامير الضبط الثلاثة بالتساوي. تذكر أن البرغي المفكوك يمكن أن يكون خطيراً للغاية. تحقق مرة أخرى بانتظام من إحكام الربط

٤. كرر نفس الإجراء مع الشفرة الثانية.



تحذير!

قبل إعداد الشفرات، قم بإيقاف تشغيل الأداة وفصلها. قم بإزالة جميع الحلاقة أو أي بقايا من رأس القاطعة. استخدم شفرات نظيفة لها نفس البعد والوزن. خلاف ذلك، سوف يتأرجح رأس القاطع ويهتز مما يجعل القشط ناقصاً أو يتسبب في كسر الماكينة.

الشفرات حادة على كلا الجانبين. إذا أصبح أحد الجانبين متأكلاً أو بلي، فقم بتدويره واستخدم الجانب الحاد الثاني. عندما يكون كلا الجانبين متأكلاً، استبدل الشفرات، ولا تحاول شحذ الشفرات عند استبدال الشفرات، قم بتغيير كلا الشفرتين في وقت واحد. خلاف ذلك، تقصر الاهتزازات الناتجة العمر الإنتاجي للشفرات والأداة.

٥. يجب ضبط الشفرات بحيث تكون حافة القطع مستوية مع ارتفاع القاعدة الثابت.



البيانات الفنية

رقم الموديل EPU82X2
 ٢٢٠-٢٤٠ فولت ~ ٦٠/٥٠ هرتز
 ٦٥٠ واط
 ١٧٥٠٠ / دقيقة
 ٢ مم
 ٨٢ مم

الفولطية المقدره
 الطاقة المقدره
 السرعة عند عدم التحميل
 أقصى عمق للقطع
 أقصى عرض للقطع

الملحقات

تأتي الآلة مع الملحقات التالية:

- كيس غبار عدد ١
- مجموعة دليل متوازي
- ١ مفك براغي

المراقبة الصحية

يجب أن يكون جميع الموظفين جزءاً من مخطط المراقبة الصحية لصاحب العمل للمساعدة في تحديد أي أمراض مرتبطة بالاهتزاز في مرحلة مبكرة، ومنع تطور المرض ومساعدة الموظفين على البقاء في العمل.

المخاطر المتبقية

حتى إذا كنت تقوم بتشغيل هذا المنتج بالتطابق مع متطلبات الامان، مازال هناك خطر الاصابة والضرر. يمكن للمخاطر التالية تنشأ في اتصال مع هيكل وتصميم هذا المنتج:

١. العيوب الصحية تنتج عن الانبعاثات والاهتزاز إذا تم استخدام المنتج على مدى فترات طويلة من الزمن أو لا تدار على نحو كاف وتصان بشكل مناسب.

٢. الإصابات والأضرار التي تلحق بالمتلكات بسبب أدوات التطبيق المكسورة أو التأثير المفاجئ للأشياء المخفية أثناء الاستخدام.

٣. خطر الإصابة والأضرار في المتلكات الناجمة عن الأجسام الطائرة.

تحذير!

هذا المنتج ينتج حقل كهرومغناطيسية أثناء التشغيل! هذا المجال الكهرومغناطيسي قد يتداخل مع أجهزة طبية ايجابية او سلبية! للحد من خطر الإصابة الخطيرة أو المميتة، نوصي الأشخاص الذين لديهم غرسات طبية باستشارة الطبيب والشركة المصنعة للغرسات الطبية قبل تشغيل هذا المنتج!

ملاحظة مهمة

تأكد من أن الإمداد هو نفس الجهد المعطى على لوحة التصنيف. قم بإزالة قابس التيار الكهربائي قبل إجراء أي تعديل أو صيانة.

الغرض من الاستخدام

تم تصميم هذه المقشطة لقصح الأسطح الخشبية أو المواد المماثلة، وإزالة الطلاء القديم باستثناء أي مادة أخرى تتطوي على خطر الاشتعال أو الانفجار أو إطلاق مواد خطرة أو خطرة على المستخدم أو البيئة.

- تأكد من أن جهد الإمداد هو نفس جهد التصنيف.
- الأداة معزولة بشكل مزدوج لتوفير حماية إضافية ضد أي عطل محتمل في العزل الكهربائي داخل الأداة.
- بعد فترات عمل طويلة، يمكن أن تكون الأجزاء المعدنية الخارجية والملحقات ساخنة.
- ارتدِ واقِي العين عند تشغيل هذه الأداة.
- تحقق دائماً من قطعة العمل قبل التشغيل وقم بإزالة أي عوائق مثل المسامير والدبابيس والمسامير والخيوط والخرق والأقمشة وغيرها من الحطام. لا تقطع إلى مسامير أو براغي أو أشياء معدنية أخرى.
- تحقق من موضع كابلات الطاقة قبل بدء العمل وتأكد من أنها بعيدة عن منطقة العمل.
- لا تستخدم شفرات المقشطة البالية أو التالفة. قد يؤدي ذلك إلى الحمل الزائد للمحرك والعمل دون المستوى المطلوب.
- احتفظ باليدين وأجزاء الجسم الأخرى بعيداً عن الشفرات خلال استخدام المقشطة. لا تحاول إزالة المواد المقطوعة خلال تشغيل المقشطة أو الوصول إلى الأسفل لأي سبب من الأسباب.
- احتفظ بالأصابع واليدين بعيداً عن منفذ استخراج الغبار خلال استخدام الأداة.

تحذير!

يحتوي بعض الغبار الناتج عن استخدام الطاقة في التخطيط والقطع وأنشطة البناء الأخرى على مواد كيميائية يُعرف أنها تسبب السرطان أو العيوب الخلقية أو غيرها من الأضرار الإنجابية. بعض الأمثلة على هذه المواد الكيميائية:

- الرصاص من الدهانات المحتوية على الرصاص
 - السيليكا البلورية من الطوب والأسمنت ومنتجات البناء الأخرى
 - الزرنيخ والكروم من الخشب المعالج كيميائياً
- تختلف المخاطر التي تتعرض لها من هذه التعرضات، اعتماداً على عدد المرات التي تقوم فيها بهذا النوع من العمل. لتقليل تعرضك لهذه المواد الكيميائية: اعمل في منطقة جيدة التهوية، واعمل مع معدات السلامة المعتمدة، مثل أقنعة الغبار المصممة خصيصاً لتصفية الجسيمات المجهرية.

الطوارئ

تعرف على استخدام هذا المنتج من خلال دليل التعليمات هذا. يتذكر توجيهات السلامة ويتبعها حرفياً. هذا سوف يساعد على منع المخاطر والأخطار.

1. كن دائماً متيقظاً عند استخدام هذا المنتج، حتى تتمكن من التعرف على المخاطر والتعامل معها مبكراً. يمكن أن تدخل بسرعة منع حدوث إصابات خطيرة وأضرار في الممتلكات.
2. إيقاف تشغيل الأجهزة وفصله عن التيار الكهربائي إذا كان هناك أي خلل. اترك فحص هذا المنتج لشخص مختص، إذا تطلب قبل وضعه في وضع التشغيل مرة ثانية.

- د. قم بتخزين الأدوات الكهربائية المعطلة بعيدًا عن متناول الأطفال ولا تسمح للأشخاص غير الملمين بالأداة الكهربائية أو هذه التعليمات بتشغيل الأداة الكهربائية. تعتبر الأدوات الكهربائية خطيرة في أيدي غير المدربين.
- هـ. احرص على صيانة الأداة الكهربائية وملحقاتها. تحقق من عدم وجود أي عائق أو تعارض بين الأجزاء المتحركة، وعدم وجود أي كسر في القطع وأي حالة أخرى قد تؤثر على تشغيل الأدوات الكهربائية. في حالة تلف الأداة الكهربائية، قم بإصلاح الأداة قبل الاستخدام.
- يتسبب سوء صيانة الأدوات الكهربائية في العديد من الحوادث.
- و. حافظ على نظافة أدوات القطع وحدتها. أدوات القطع ذات الحواف الحادة التي يتم صيانتها بشكل صحيح تكون أقل عرضة للتلف وأسهل في التحكم بها.
- ز. استخدم الأداة الكهربائية وملحقاتها ولقم الأداة وما إلى ذلك وفقًا لهذه التعليمات، مع مراعاة ظروف العمل والعمل الذي سيتم تنفيذه. يمكن أن يؤدي استخدام الأداة الكهربائية في عمليات مختلفة عن تلك المقصودة إلى وضع خطير.
- ح. حافظ على المقابض وأسطح الإمساك جافة ونظيفة وخالية من الزيوت والشحوم. لا تسمح المقابض الزلقة وأسطح الإمساك بالتعامل الآمن مع الأداة والتحكم فيها في المواقف غير المتوقعة.
- [5] الخدمة

أ. قم بصيانة أدواتك الكهربائية من قبل شخص مؤهل لصيانتها باستخدام قطع غيار مطابقة فقط. وذلك للحفاظ على سلامة الأداة الكهربائية.

تحذيرات سلامة المشغطة

- انتظر حتى يتوقف القاطع تمامًا قبل وضع الألة على الأرض. يؤدي تعرض القاطع الدوار للسطح إلى احتمال فقدان التحكم مما قد ينشأ عنه إصابات خطيرة.
- امسك الأداة الكهربائية عن طريق أسطح الإمساك المعزولة، لأن القاطع قد يلامس السلك الخاص به. قد يؤدي قطع سلك "مكهرب" إلى جعل الأجزاء المعدنية المكشوفة من الأداة الكهربائية "مكهربة" وقد يتسبب في إصابة المشغل بصدمة كهربائية.
- استخدم المرابط أو أي طريقة عملية أخرى لتثبيت قطعة العمل ودعمها بمنصة ثابتة. إن إمساك قطعة العمل بيدك أو مقابل الجسم يتركها غير مستقرة وقد يؤدي إلى فقدان السيطرة.
- معلومات ونصائح إضافية حول السلامة**
- قم بإزالة القابس عن المأخذ قبل إجراء أي ضبط أو صيانة أو إصلاح.
 - قم بفك أسلاك التمديد بالكامل لتجنب ارتفاع درجة الحرارة المحتمل.
 - عند الحاجة إلى سلك تمديد، يرجى التأكد من أنه يحتوي على معدل الأمبير الصحيح للأداة الكهربائية وأنه في حالة كهربائية آمنة.

- أ. كُنْ حذراً، وانتبه لما تقوم به واستخدم المنطق والحس السليم عند تشغيلك للأداة الكهربائية. لا تستخدم الأداة الكهربائية إذا كُنْتَ مرهقاً أو تحت تأثير العقاقير أو الكحوليات أو الأدوية. يمكن أن يؤدي الغفل للحظة واحدة خلال تشغيل الأدوات الكهربائية إلى إصابة شخصية خطيرة.
 - ب. استخدم معدّات الحماية الشخصية. احرص دائماً على ارتداء نظّارات حماية العين. معدّات الوقاية مثل كامام الغبار أو أذنية السلامة غير القابلة للانزلاق أو القبعة الصلبة أو واقيات السمع ستقلل من حدوث الإصابات الشخصية.
 - ج. احرص على منع التشغيل غير المقصود. تأكد من أن المفتاح في وضع إيقاف التشغيل قبل توصيل القابيس بمصدر الطاقة و / أو تركيب حزمة البطارية، أو عند التقاط أو حمل الأداة. يمكن أن يتسبب حمل الأدوات الكهربائية وإصبعك على المفتاح أو تنشيط الأدوات الكهربائية التي تحتوي على مفتاح التبديل في وقوع الحوادث.
 - د. أزل أي مفتاح ضبط أو مفتاح ربط قبل تشغيل الأداة الكهربائية. حيث إنه من المتوقع أن يتسبب ترك هذا المفتاح معلقاً بالجزء الدوار بالآلة في وقوع إصابات شخصية.
 - هـ. حافظ على توازنك، احرص على ثبات موطئ القدم والتوازن في جميع الأوقات. فبذلك يمكنك التحكم في الأداة الكهربائية بشكل أفضل في المواقف المفاجئة غير المتوقعة.
 - و. ارتدِ الملابس الملائمة لتشغيل الأداة الكهربائية. لا ترتدي ملابس فضفاضة أو مجوهرات. احرص على إبعاد شعرك وملابسك عن الأجزاء المتحركة. يمكن أن تعلق الملابس الفضفاضة أو المجوهرات أو الشعر الطويل في الأجزاء المتحركة.
 - ز. إذا تم توفير أجهزة لتوصيل مرافق شغط وتجميع الغبار، فتأكد من توصيلها واستخدامها بشكل صحيح. يمكن أن يؤدي استخدام مجمع الغبار إلى تقليل المخاطر المتعلقة بالغبار.
 - ح. لا تدع الألفة المكتسبة من الاستخدام المتكرر للأدوات تسمح لك بالرضا وتجاهل مبادئ سلامة الأداة. الإهمال قد يتسبب في إصابة خطيرة في غمضة عين.
- ٤) استخدام الأداة الكهربائية والعناية بها
- أ. لا تجبر الأداة الكهربائية على القيام بما لم تصمم للقيام به. استخدم الأداة الكهربائية المناسبة للمهمة. ستجنز الأداة الكهربائية العمل بشكل أفضل وأكثر أماناً بالمعدل الذي صممت من أجله.
 - ب. لا تستخدم الأداة الكهربائية إذا تلف المفتاح ولم يعد يقوم بتشغيلها وإيقاف تشغيلها. تعتبر أي أداة كهربائية لا يمكن التحكم فيها باستخدام المفتاح أداة خطيرة ويلزم إصلاحها.
 - ج. افصل القابيس عن مصدر الطاقة و/أو قم بفصل القابيس عن مصدر الطاقة و/أو قم بإزالة حزمة البطارية، إذا كانت قابلة للفصل، من الأداة الكهربائية قبل إجراء أي تعديلات أو تغيير الملحقات أو تخزين الأدوات الكهربائية. حيث تعمل مثل هذه الإجراءات الوقائية على الحد من خطر التشغيل المفاجئ للآلة.

تحذيرات السلامة العامة للأدوات الكهربائية



تحذير! اقرأ جميع تحذيرات السلامة والتعليمات والرسوم التوضيحية والموصفات المرفقة مع هذه الأداة الكهربائية. فقد يؤدي عدم اتباع التعليمات كافة إلى حدوث

صدمة كهربائية أو نشوب حريق و/أو في حدوث إصابة بالغة.

احتفظ بجميع التحذيرات والتعليمات لاستخدامها كمرجع في المستقبل. يشير مصطلح "الأداة الكهربائية" في التحذيرات إلى الأداة الكهربائية (الصلكية) التي تعمل بالتيار الكهربائي أو الأداة الكهربائية (اللاسلكية) التي تعمل بالبطارية.

١. سلامة منطقة العمل

أ. حافظ على نظافة منطقة العمل وتوفير الإضاءة الجيدة بها. المناطق غير المرتبة أو المظلمة قد تسبب الحوادث.

ب. تجنب تشغيل الآلة الكهربائية في المناطق التي تحتوي على أجواء تساعد على وقوع انفجارات، على سبيل المثال في ظل وجود السوائل أو الغازات أو الأتربة القابلة للاشتعال. تُحدث الأدوات الكهربائية شرارات قد تؤدي إلى اشتعال الغبار أو الأبخرة.

ج. ابعاد الأطفال والمارة أثناء تشغيلك للأداة الكهربائية. قد يتسبب تشتت الانتباه في جعلك تفقد سيطرتك على الآلة.

٢) السلامة الكهربائية

أ. تأكد من مطابقة مقابس الأداة الكهربائية مع المخرج الكهربائي. ممنوع تماماً تعديل المقابس بأي شكل من الأشكال. لا تستخدم أي مقابس تحويل مع الأداة الكهربائية المؤرضة. المقابس غير المحوِّلة والمخارج الكهربائية المطابقة تقلل من خطر التعرُّض للصعق الكهربائي.

ب. تجنب ملامسة جسدك للأسطح المؤرضة، مثل الأنابيب والمشعات والمواد والثلاجات. يتزايد خطر التعرُّض للصعق الكهربائي في حالة تأريض جسدك.

ج. لا تعرِّض الأداة الكهربائية للمطر أو الظروف الجوية الرطبة. يزيد دخول المياه إلى الأداة الكهربائية من خطر التعرُّض للصعق الكهربائي.

د. لا تسيء استعمال السلك الكهربائي. ممنوع تماماً حمل الأداة الكهربائية أو سحبها أو فصلها باستخدام السلك. ابعاد السلك عن الحرارة أو الشحوم أو الحواف الحادة أو الأجزاء المتحركة. تزيد الأسلاك النالفة أو المتشابكة من خطر التعرُّض للصعق الكهربائي.

هـ. عند تشغيل أداة كهربائية في الهواء الطلق، استخدم سلك تمديد مناسب للاستخدام الخارجي. استخدام سلك مناسب للاستخدام في المناطق الخارجية يقلل من خطر التعرُّض للصعق الكهربائي.

و. في حال أصبح تشغيل الآلة في مكان رطب أمراً لا مفر منه، استخدم أجهزة التيار المتبقي لحماية الطاقة. يقلل استخدام جهاز حماية من التيار المُتخلف من خطر حدوث صدمة كهربائية.

شرح الرموز

يُرجى الرجوع إلى دليل/كتيب التعليمات.



ارتدِ القفازات الواقية.



أحرص على ارتداء واقي للأذن



استخدم واقي العين



ارتدي قناعاً.



عزل مزدوج

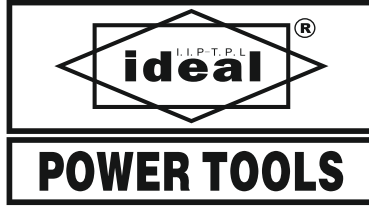


يفي المنتج بمتطلبات السلامة لتوجيهات تشريعات الاتحاد الأوروبي ذات الصلة.



يفي المنتج بمتطلبات السلامة للتوجيهات ذات الصلة لتشريعات جمهورية صربيا.

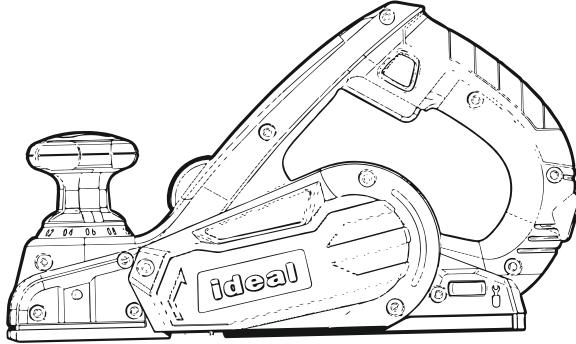




مقشطة كهربائية

دليل التعليمات الأصلي

ID EPU82X2
Part No: 28847



لتقليل خطر الإصابة، يجب على المستخدم قراءة دليل المشغل وفهمه قبل استخدام هذا المنتج.
يرجى الاحتفاظ بهذه التعليمات للرجوع إليها مستقبلاً.



N SERIES
THE NEXT GENERATION



www.idealpowertools.com