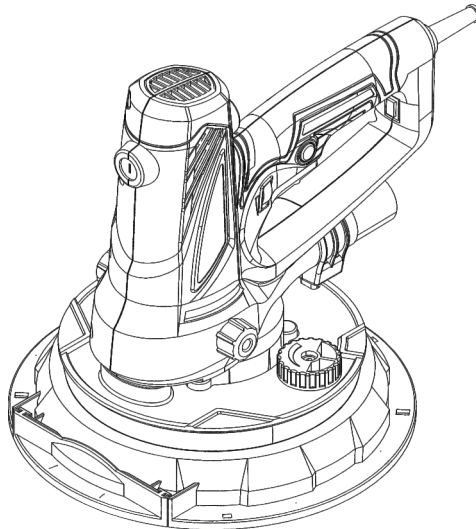



# **ID DWS180**

Part No: 27840

## **DRYWALL SANDER**



 Read through carefully and understand these instructions before use.

## **OPERATION INSTRUCTIONS**

# Contents

1. Warning & Statements .....	3
2. Voltage .....	4
3. Device Application .....	4
4. Technical Specifications .....	4
5. Structure Overview .....	4
6. Switch & Speed Governor Operation .....	5
7. Installation & Sand Paper Replacement .....	5
8. Replacement of the Round Sanding Pad .....	6
9. Sanding of Corner .....	6
10. The suction can be adjusted .....	6
11. Replacement of Carbon Brush .....	7
12. Cleaning .....	7
13. Exploded View of <b>ID DWS180</b> .....	8
14. Spare Parts list .....	9

## 1. Warning & Statements

Note: In order to reduce the hazards of fire, electric shock and injury, etc, the statements listed below shall be taken into consideration upon application of electric tools.

1. Understand your electric tool fully by going through the user manual carefully together with identifying the application, limitation and potential risk accordingly.
2. Adopt protective appliances and act by conforming to the due order strictly.
3. Remove all the regulatory instruments, and form the habit to check about that prior to application of electric tools.
4. Keep the operational site clean. Accidents are most likely to occur in case that the electric tools are used in a messy and dirty place, or on the workbench.
5. Any operation in unsafe conditions is strictly prohibited. Do not use the electric tools in places exposed to damp/moisture, or leave them outside in rainy days. Make sure to keep the operational site bright enough.
6. Keep the children away from the devices. Certain distance shall be guaranteed as for the children in search of on-site operational experience.
7. Actions shall be taken to avoid the workshop accessible by children without permission, such as locking the door, cutting off the power supply or taking away the launch key.
8. Do not use the devices at will. To ensure the overall quality of work piece and maintain security anyway, please use the devices within the design capacity.
9. Use the devices correctly, and do not operate them in overloading or abnormal status.
10. Ensure appropriate clothing. Do not wear loosen clothes, gloves, tie, knot, etc. Which may result in hazards of being entangled by running devices. Prefer shoes with skid proof to avoid slipping, and cut the hair to the proper length.
11. Remember to wear protective spectacles. Abundant dust may come out in the buffing process, thus it's necessary to wear dust mask. Glasses in daily use incorporate lens with impact resistance only, which could by no means meet the safety requirements.
12. Hold the work piece tightly, if necessary, you may use a clamp or vice, Which appears to be safer than grabbing with hands.
13. Do not place your hands over the twisting disk. Meanwhile, stand still during the operations.
14. Prior to adopting the device, check if the disk suffers from defects are rupture and the sandpaper is well-composed.
15. Ensure tight connections at the disk and other joints.
16. When using the device, remember to hold the handle firmly. Single-hand operations and any intentions to touch the disk are strictly prohibited.
17. Before switching on, the disk shall be away from any contact of other objects.
18. Prior to application, the device shall be powered and switched on to make the disk twist at full speed. Avoid waver arising from installation error and misplaced disk. In case of any malfunction, cut off the power supply and cease the operations at hand immediately.
19. Treat the device maintenance cautiously. Keep the grinder sharp and safe at any time. In addition, follow the instructions to lubricate the device and replace appropriate accessories.
20. The power supply must be cut off during maintenance, such as the replacement of accessories, sandpaper, etc.

21. Avoid direct connection to power supply Before power on, check if the switch for the device is off in advance.
22. Use the accessories according to the instructions. Read through the user manual in details, and select right accessories accordingly, otherwise, it may result in unexpected injuries.
23. Check if the components or devices are damaged at any time. In case of any failure or abrasion, replace the devices at once. Otherwise, it may affect working efficiency or even result in accidents.
24. Keep an eye on the device to cancel it. Make sure to switch off, and wait until the device finally ceases.
25. As for adoption of the device, only apply specified parts for replacement.
26. In case of maintenance or replacement, adopt specified spare parts only.

## 2. Voltage

Before connecting electric tool to the socket, make sure that the supply voltage be in accordance with rated voltage. If the former is greater than latter and the device is powered on by mistake, it may result in damage of devices and injuries of people.

As for indefinite supply voltage of socket, never try to plug for use. Besides, the damages of devices may also occur if the supply voltage falls below rated voltage.

## 3. Device Application

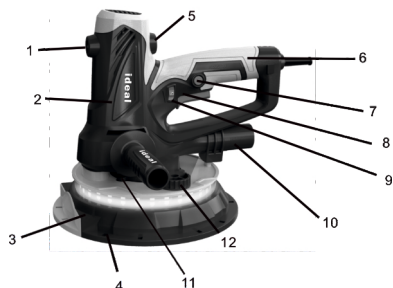
As one of our products, the device belongs to the hand-held electric tools. The device mainly caters for lime surface, including the interior wall, ceiling. Exterior wall, corridor, etc. Remove the painting lime mud from the wall, and make the surface even or smooth. It may promote the wall grinding efficiency and quality by workers.

With various conditions taken into consideration in the design, the device may run at high or low speed to optimize the grinding efficiency and realize user-friendly and compact design. In addition, this machine is designed with self suction function, can effectively reduce the dust when sanding.

## 4. Technical Specifications

Model	ID DWS180
Rated Voltage	220-240V~
Rated Frequency	50-60Hz
Rated Power	1250W
No-load Speed	0.2600r/min
Sanding Pad Dimensions	180mm
Product Size	

## 5. Structural Overview



1. Heat Sink at the Top
2. High-Power Motor
3. Double LED Strip Light
4. 180mm Rotating Adhibit Tray
5. External Carbon Brush
6. Soft Hand Grip
7. Speed Controller
8. Speed Control Switch
9. Switch
10. Connector For Dust Collect Bag
11. Side Handle
12. LED Strip Light Switch

## Standard Accessories



1. Dust Collect Bag (1 Pc)
2. Dust Hose 2m (1 Pc)
3. Side Handle (1 Pc)
4. Adaptor (1 Pc)
5. Sand Paper (6 Pcs)
6. Carbon Brush (1 Pair)
7. Adjusting Shim (3 Pcs)
8. Inner Hexagon Wrench (1 Pc)

## 6. Switch & Speed Governor Operation

This drywall sander switch is self-locking switch, it can be locked in the "ON" position.



When turn on the machine, just press the main switch button it can work.

When press the switch button and the self-locking button the switch will be locked no need to press the switch button all the time.

When turn off the machine you only need press the main switch button. No need press the self-locking button on the machine will be turned off.

As shown in Figure governor can be adjusted easy to operate and also can improve the work quality. Motor start will produce a strong current, will cause great damage to the equipment and it is not safety. So this machine is soft start design, using uniform start, cause little damage to the motor, also greatly improves the safety.

## 7. Installation & Sandpaper Replacement

Note: Prior to installation or removing the sandpaper, make sure to not only switch off the device, but also cut off the power supply.

### Installation Guide

To ensure the replacement procedures, place the device on the smooth ground prior to installation. Take the sandpaper from the toolbox, and then fix it onto the disk(see Fig). The back of the sandpaper (Item 1) will automatically glue with the disk/adhesive disk (Item 2), making both connection and conduction available. In order to promote the grinding efficiency, it is necessary to change the sandpaper after the device has been operational for a certain period. Firstly, switch off the device and disconnect the socket. Then, remove the previous sandpaper entirely from the disk, so as to lay new sandpaper neatly as well as facilitate future replacement. At last, fix new sandpaper in position.



Sand Paper Overview

Grinding towards the target wall and object is possible with abrasive grains and sandpaper twisting upon operation. The sandpaper is classified into various categories according to its dimensions. It is recommended to select the sandpaper in accordance with actual size of the disk. The more abrasive grains included on the sandpaper, the better flatness and parallelism can be achieved via grinding while the grinding efficiency will fall accordingly and vice versa. Therefore, the sandpaper (S180mm) is recommended upon actual needs.

## 8.Replacement of the Round Sanding Pad

In the using if the sanding pad have been broken you can ask our company for new sanding pad

### Installation Guide

Taking off the sandpaper, using the wrench put into the holes in the center of the sanding pad the slackening clockwise to take off the old sanding pad, install the new sanding pad.



## 9. Sanding of the corner

Take off the disassemble part one the cover of the sanding pad (Part 8) sanding the corner space.



**360° Rotatable Grindable Disc**  
Easy for ceiling polishing and edge grinding

With 360 degree rotating disassembled part, it's more better to sanding the corner space.



## 10. Suction can be adjusted



## 11. Replacement of Carbon Brush

When the original carbon brush is worn, the machine has a set spare carbon brush for replacement.

### Guide for the replacement fo Carbon Brush

- 1) Use the screwdriver to open the cover of the carbon brush and take out the carbon brush
- 2) Put the spare carbon brush into the Brush Carrier, use the screwdriver to rotate and fix the cover of carbon brush tightly.



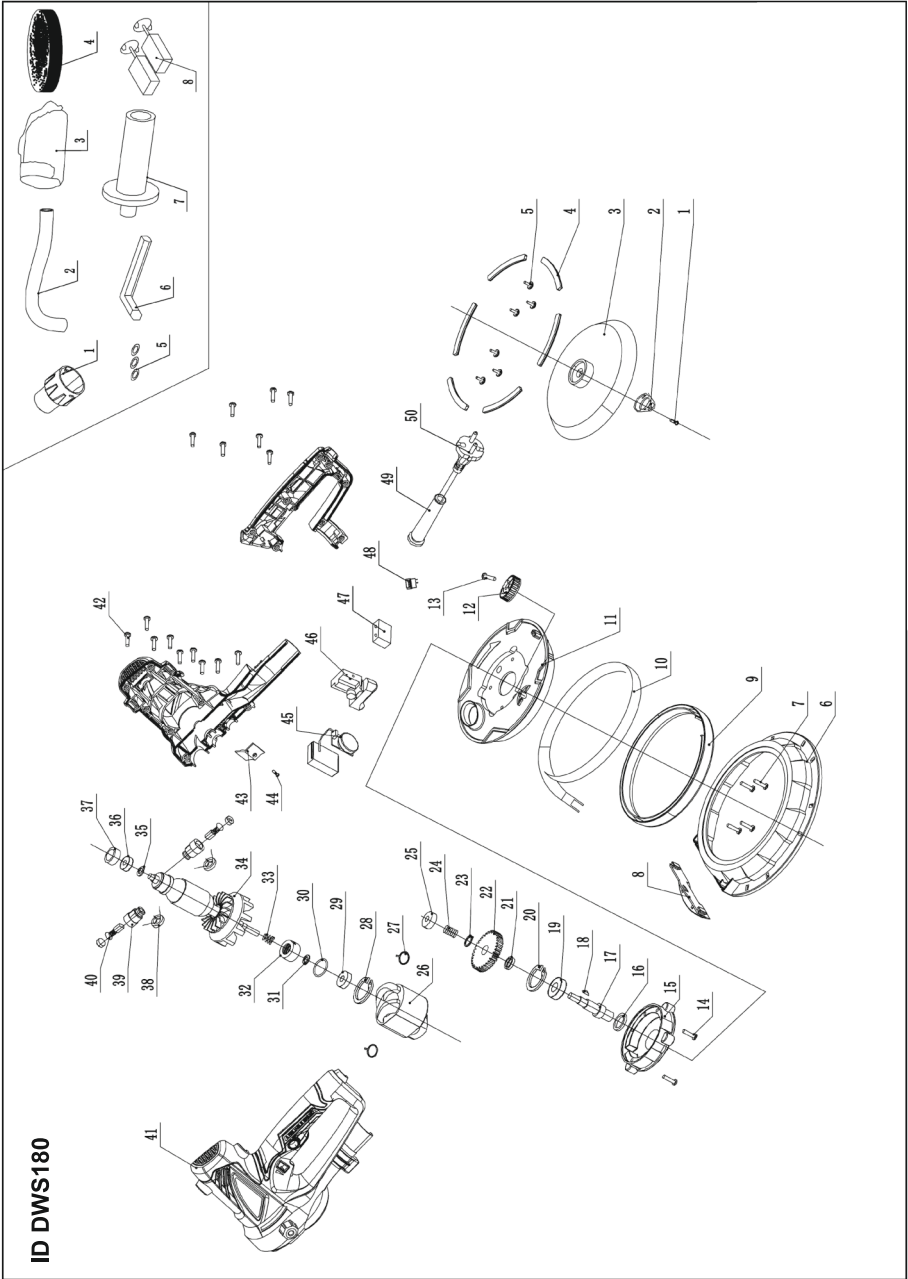
## 12. Cleaning

Regular cleaning shall be conducted after grinding.

Cleaning the devices frequently may help to extend operating life and reduce repair rate. It is recommended to clean the connection sets and components of electric motor without application of water.

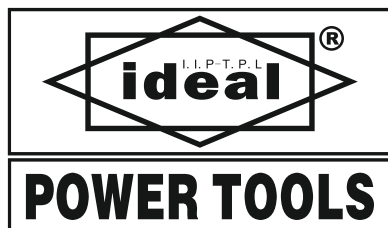
Timely cleaning is recommended after the application of the devices. Clean the devices with a hairbrush and a piece of dry cloth, or simply blow it with high pressure gas.

# Explode View of ID DWS180



## SPARE PARTS LIST - DSW180

NO	SPARE PARTS	SPECIFICATION	UNIT	QUANTITY
1	Screw	Quenching 6*185*11	pc	1.00
2	Spring	1*6.3*13*4*10	pc	1.00
3	180mm Adhesive Disc with 8 Holes		pc	1.00
4	7243 Wear-resistant Strip	Original Color	pc	6.00
5	Self-tapping Screw		pc	6.00
6	7186 Activity disk	ABS Black	pc	1.00
7	4*30 Pan Head B-Type Self Attach	Black	pc	4.00
8	7186 Edge Cover	ABS 137C Yellow	pc	1.00
9	7185B Transparent Cover	Transparent	pc	1.00
10	7186 LED Strip	Controller and strip seperated	pc	1.00
11	7186 Fixed Disc	ABS Black	pc	1.00
12	7186 Fixed Disc	137C Yellow	pc	1.00
13	4 * 12 Screw	Galvanized	pc	1.00
14	4*25 Screw		pc	2.00
15	7185 Middle Cover	D014 Gray	pc	1.00
16	Oil Seal	24*18*3	pc	1.00
17	7186 Output Shaft		pc	1.00
18	3.9*13 Half Circle Key		pc	1.00
19	6001 Bearing		pc	1.00
20	28 Hole Card		pc	1.00
21	7185 Positioning Set	17*12.6*7.8	pc	1.00
22	7185 Gear		pc	1.00
23	10 Axis Card		pc	1.00
24	Spring	0.8*8.6*4*15	pc	1.00
25	606 Bearing ZZ		pc	1.00
26	7185 Stator 220V		pc	1.00
27	9523 (0.6) Tension Spring		pair	1.00
28	\$ 22 Hole Card		pc	1.00
29	608 Bearing	PT608-2RS	pc	1.00
30	O-ring	26*2	pc	1.00
31	Stainless Steel Gasket	16*8*1	pc	1.00
32	7186 Bearing Seat		pc	1.00
33	Spring	0.7*10.6*3*7	pc	1.00
34	7185 Rotor 220V		pc	1.00
35	Stainless Steel Gasket	13*7*0.5	pc	1.00
36	607 Bearing	PT607-2RS	pc	1.00
37	17b Bearing Sleeve 607		pc	1.00
38	Inductance \$ 10 (5+1)		pc	2.00
39	7186 Brush Grip/cover	5-30	pair	1.00
40	7186 Carbon Brush	L85F13/6.5*7.5*16.5	pc	2.00
41	7186 Or So Chassis/wiring Cover	PA6 137C Yellow Rubber Black	set	1.00
42	4* 16 Pan Head B-type Self Attack	Black	pc	16.00
43	7186 Windshield Cover	PA6 Black	pc	6.00
44	3* 12 Pan Head B-type Self Attack	Galvanized	pc	1.00
45	1805 Speed Regulator Soft Start 230V/50HZ	Black	pc	1.00
46	7185 Large Switch (black)	FA1-10/2D-A6 Z01/Bipolar Posi	pc	1.00
47	0.22 Capacitor 100mm		pc	1.00
48	7241-2 Small Switch	KCD1-101 2P all black waterproof	pc	1.00
49	125 Sheath (7237)		pc	1.00
50	Power Cord	Tail Stripping 70mm	pc	1.00
51	Long Connector	Black	pc	1.00
52	Dust Hose 32 * 2M		pc	1.00
53	Dust Bag		pc	1.00
54	Adjust Shims	18*14*0.5	pc	3.00
55	180mm Sandpaper	(120/180/240) 2 pcs each	set	1.00
56	Inner Hexagon Spanner	5*125	pc	1.00
57	7185b Side Handle (225R)	Black	pc	1.00



[www.idealpowertools.com](http://www.idealpowertools.com)