


# IDEAL

## IMPACT DRILL ID 950RF

Part No.: 21626

### OPERATION INSTRUCTIONS



 Read though carefully and understand these instructions before use.

## SAFETY INSTRUCTION



Warning ! When using mains powered tools, basic safety precautions, including the following, should always be followed to reduce the risk of the fire, electric shock, personal injury and material damage.

- \* Read all of this manual carefully before operating the tool.
- \* Before operating the tool, make sure that you know how to switch the tool off in emergency.
- \* Retain this manual for future reference.

## GENERAL

### 1. Work area safety

- a. Keep work area clean and well lit.  
Cluttered or dark areas invite accidents.
- b. Do not operate power tools in explosive atmospheres, such as in the presence of flammable liquids, gases or dust.  
Power tools create sparks which may ignite the dust or fumes.
- c. Keep children and bystanders away while operating a power tool.  
Distractions can cause you to lose control.

### 2. Electrical safety

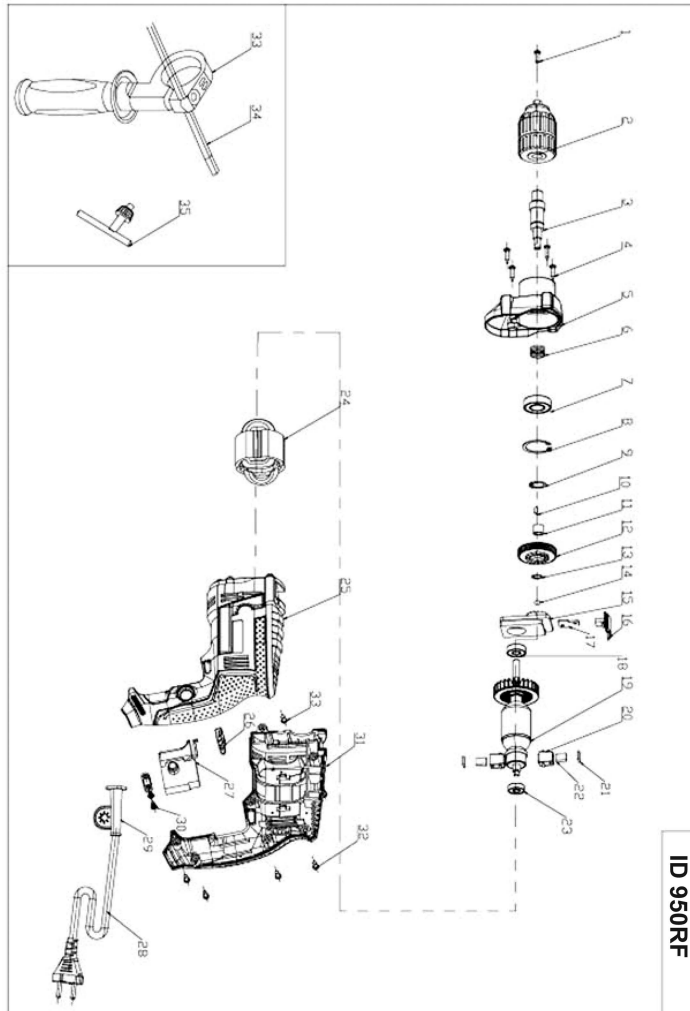
- a. Power tool plugs must match the outlet.  
Never modify the plug in any way.  
Do not use any adapter plugs with earthed (grounded) power tools.  
Unmodified plugs and matching outlets will reduce risk of electric shock.
- b. Avoid body contact with earthed or grounded surfaces, such as pipes, radiators, ranges and refrigerators.  
There is an increased risk of electric shock if your body is earthed or grounded.
- c. Do not expose power tools to rain or wet conditions.  
Water entering a power tool will increase the risk of electric shock.

## SPECIFICATIONS

### Spare parts list

Part No.	Part Desc.	Part No.	Part Desc.
1	Crosshead thread screw	18	Gear
2	Drill chuck	19	Armature
3	output spindle	20	Carbon brush holder
4	Thread screw	21	Carbon brush cover
5	Head capsule	22	Carbon brush
6	Impact spring	23	Bearing
7	Bearing	24	Stator
8	Internal circlip	25	Left housing
9	Shaft ring	26	L/R rotation shift pole
10	Woodruff key	27	Switch
11	Quill roller	28	Plug & Cable
12	Gear	29	Cable protector
13	Shaft ring	30	Half self-tapping screw
14	Ball bearing	31	Right housing
15	Impact block	32	Screw
16	Impact torsional	33	Handle
17	Impact metal plate	34	Scaleplate
		35	Chuck handle

Exploded view for ID 950RF



ID 950RF

- d. Do not abuse the cord. Never use the cord for carrying , pulling or unplugging the power tool.  
Keep cord away from heat, oil, sharp edges or moving parts.  
Damaged or entangled cords increase the risk of electric shock.
- e. When operating a power tool outdoors, use an extension cord suitable for outdoor sue.  
Use of a cord suitable for outdoor use reduces the risk of electric shock.
- f. If operating a power tool in a damp location is unavoidable, use a residual current device (RCD) protected supply.

### 3. Power tool use and care

- a. Do not force the power tool. Use the correct power tool for your application.  
The correct power tool will do the job better and safer at the rate for which it wats designed.
- b. Do not use the power tool if the switch does not turn it on and off.  
Any power tool that cannot be controlled with the switch is dangerous and must be repaired.
- c. Disconnect the plug from the power source and/or the battery pack from the power tool before making any adjustments ,changing accessories, or storing power tools.  
Such preventive safety measures reduce the risk of starting the power tool accidentally.
- d. Store idle power tools out of the reach of children and do not allow persons unfamiliar with the power tool or these instructions to operate the power tool.  
Power tools are dangerous in the hands of untrained users. Maintain power tools. Check for misalignment or binding of moving parts, breakage of parts and any other condition that may affect the power tool's operation.If damaged, have the power tool repaired before use.  
Many accidents are caused by poorly maintained power tools.

- e. Keep cutting tools sharp and clean.  
Properly maintained cutting tools with sharp cutting edges are less likely to bind and are easier to control.
- f. Use the power tool, accessories and tool bits etc. In accordance with these instructions, taking into account the working conditions and the work to be performed.  
Use of the power tool for operations different from those intended could result in a hazardous situation.

#### 4. Service

- a. Have you power tools serviced by a qualified repair person using only dential replacement parts.  
This will ensure that the safety of the power tool is maintained.

### SAFETY RULES FOR IMPACT DRILL

1. Use only the voltage shown on the nameplate to supply power.  
Using a voltage higher than shown will increase the rotation speed abnormally and can cause injuries.
2. Hold tool by insulated gripping surfaces when performing an operation where the cutting tool may contact hidden wiring or its own cord. Contact with a live wire will make exposed metal parts of the tool live and shock the operator. If cutting into existing walls or other blind areas where electrical wiring may exist is unavoidable.  
Disconnect all fuses or circuit, breakers feeding this worksite.
3. Always make sure the work surface is free from nails& other foreign objects, Cutting into a nail can cause the bit and the tool to jump and damage the bit.  
Never hold the work piece in one hand and the tool in the other hand when in use.  
Never place hands near or below cutting surface. Clamping the material and guiding the tool with both hands is safer.
4. Remove this unit a safe distance away from electrical conductors when cleaning sections carrying electrical power such as the electrical panel.

5. Do not sue in locations where inflammable materials such as lacquer, paint, benzene, thinner or gasoline are present.  
Also do not let items such as lighted cigarette butts be suctioned inside at such locations. Explosion or fires might result.
6. Do not use in environments subject to heavy doses of chemical s, etc.  
Plastic sections such as the vanes on the inner section of the unit might weaken and break, and injuries might occur.
7. If you notice the unit is operating poorly or making abnormal noises, immediately stop using and shut off the power switch.  
Request aninspection and repair from the dealer where you purchased the unit.  
Continuing to use while operating abnormally might cause injuries.
8. If the unit is mistakenly dropped or strikes another object, make a thorough check of the unit for cracks, breakage or deformation, etc.Injuries might occur if the unit has cracks, breakage or deformation.
9. Do not use near objects generating high heat such as stoves.  
Fires might occur if used near such locations.
- 10.Do not leave on locations such as benches or floors while still rotating.Injuries might occur.

### Specifications:

Voltage	220/240V~
Chuck Size	1.5-13mm
Power Input	950w
No-load Speed	0-2800r/min
Net Weight	1.76kg
Max Drilling in masonry	13mm