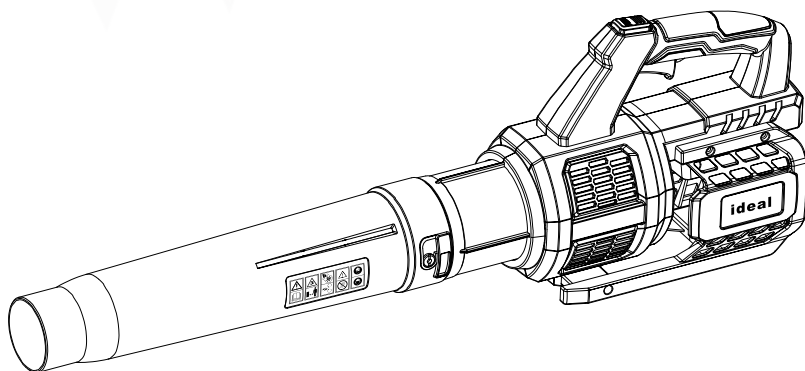


CORDLESS GARDEN BLOWER

Original Operating Instructions

IDU GB-480

Part No.: 28885



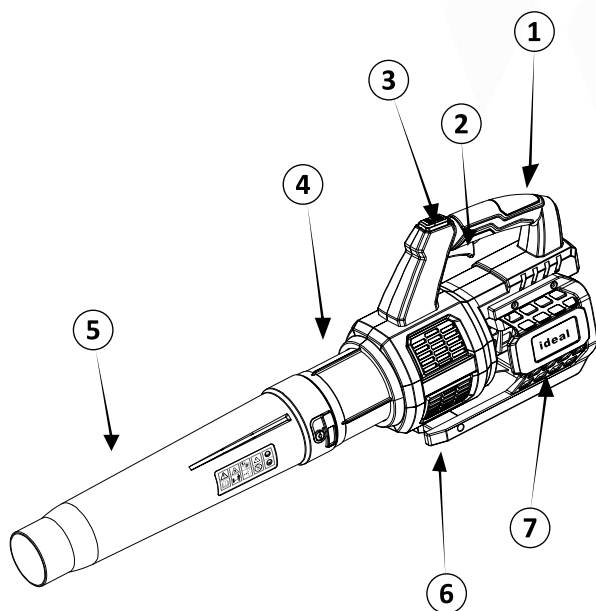
To reduce the risk of injury, the user must read and understand the Operator's Manual before using this product. Save these instructions for future reference.

ULTRA

SERIES

PRODUCT SPECIFICATIONS

Model No.	IDU GB-480
Rated Voltage	20V d.c.
Rated Speed	5000-15500rpm
Speed with Turbo	20500rpm
Air speed	36-115 km/h
Air speed with Turbo	155 km/h
Air Volume	1.9-6 m ³ /min
Air Volume with Turbo	8 m ³ /min



1. Main Handle	2. Switch Trigger
3. Air Flow	4. Air Duct
5. Hair Dryer	6. Skylight Cover
7. Bracket	

GENERAL POWER TOOL SAFETY INSTRUCTIONS



WARNING: Read all instructions. Failure to follow the warnings and instructions may result in electric shock, fire and/or serious injury. Retain this manual for future reference.

Work area safety

- Keep work area clean and well lit. Cluttered or dark areas invite accidents.
- Do not operate power tools in explosive atmospheres, such as in the presence of flammable liquids, gases or dust. Power tools create sparks which may ignite the dust or fumes.
- Keep children and bystanders away while operating a power tool.

Distractions can cause you to lose control.

Electrical safety

- Power tool plugs must match the outlet. Never modify the plug in any way. Do not use any adapter plugs with earthed (grounded) power tools. Unmodified plugs and matching outlets will reduce risk of electric shock.
- Avoid body contact with earthed or grounded surfaces such as pipes, radiators, ranges and refrigerators. There is an increased risk of electric shock if your body is earthed or grounded.
- Do not expose power tools to rain or wet conditions. Water entering a power tool will increase the risk of electric shock.

Personal safety

- Stay alert, watch what you are doing and use common sense when operating a power tool. Do not use a power tool while you are tired or under the influence of drugs, alcohol or medication. A moment of inattention while operating power tools may result in serious personal injury.
- Use personal protective equipment. Always wear eye protection. Protective equipment such as dust mask, nonskid safety shoes, hard hat, or hearing protection used for appropriate conditions will reduce personal injuries.
- Prevent unintentional starting. Ensure the switch is in the off-position before connecting to power source and/or battery pack, picking up or carrying the tool. Carrying power tools with your finger on the switch or energising power tools that have the switch on invites accidents.
- Remove any adjusting key or wrench before turning the power tool on. A wrench or a key left attached to a rotating part of the power tool may result in personal injury.
- Do not overreach. Keep proper footing and balance at all times. This enables better control of the power tool in unexpected situations.
- Dress properly. Do not wear loose clothing or jewellery. Keep your hair, clothing and gloves away from moving parts. Loose clothes, jewellery or long hair can be caught in moving parts.

- If devices are provided for the connection of dust extraction and collection facilities, ensure these are connected and properly used. Use of dust collection can reduce dust-related hazards.

Personal protection

- Risk of eye injury. Wear safety glasses or similar eye protection marked. Use a face or dust mask whenever the operations may produce dust or flying particles.
- Wear ear protection whenever the sound level seems uncomfortable.
- Do not overreach.
- Keep proper footing and balance at all times.

Use the appropriate tool

- The intended use is described in this instruction manual. Do not force small tools or attachments to do the job of a heavy-duty tool.
- The tool will do the job better and safer at the rate for which it was intended. The use of any accessory or attachment or performance of any operation with this tool other than those recommended in this instruction manual may present a risk of personal injury. Do not force the tool.

Maintain tools with care

- Keep cutting tools sharp and clean for better and safer performance.
- Follow the instructions for maintenance and changing accessories.
- Keep handles and switches dry, clean, and free from oil and grease.

Check for damaged parts

- Before using the tool, carefully check it for damage to ensure that it will operate properly and perform its intended function.
- Check for misalignment and seizure of moving parts, breakage of parts and any other conditions that may effect its operation.
- Have any defective parts repaired or replace by an authorized repair agent. Do not use the tool if any part is defective.
- Never attempt any repairs yourself

Remove the battery

- Reduce the risk of injury to persons. Remove the battery pack when the tool is not in use, before changing any parts of the tool, accessories or attachments, and before cleaning or servicing.
- Avoid unintentional starting
- Do not carry the tool with a finger on the on/off switch.

Never carry the charger by its cord or pull it to disconnect from the socket. Keep the cord away from heat, oil, and sharp edges.

Safety instructions for the charger

Read the instructions for use before charging.

- Protect the charger from rain and moisture. The penetration of water into the device increases the risk of electric shock.
- Use only chargers from the manufacturer. The use of chargers other than those designed by the manufacturer can result in a fire hazard.
- Do not charge any other batteries with the included charger. The charger is only suitable for charging lithium-ion batteries with a certain nominal voltage. Charging batteries that are not suitable for the device can create a risk of fire and explosion.
- Keep the charger clean. Contamination can create a risk of electric shock.
- Check the charger, cable and plug each time you use the device. Never use chargers with defective parts. Never open the charger and refrain from repairs to the charger yourself. Never use the charger with defective parts. Have the charger repaired only by a qualified and authorized person. Damaged chargers, cables and plugs increase the risk of electric shock.
- Never use the device in the immediate vicinity of flammable materials (paper, rubbish, etc.). In this way the risk of fire due to overheating can be avoided.
- If the charger is used improperly, battery fluid can leak. It is imperative that you avoid any contact with the battery fluid. If you accidentally come into contact with battery fluid, rinse the affected area thoroughly. If battery fluid has come into contact with the eyes, consult a doctor. Battery fluid can cause skin irritation or burns.
- Never open the charger. This can prevent the risk of electric shock.
- Protect the device against heat as well as continuous sunlight and fire. Risk of explosion.
- Never short-circuit the battery. Risk of explosion. In the event of improper use or damage, vapors can escape from the device. In case of complaints, provide fresh air and consult a doctor. Vapors can affect the respiratory tract.
- The charger must not be operated on a flammable surface (e.g. paper, textiles). There is a risk of fire due to the heating that occurs during charging.
- If the power cord of this device is damaged, it must be replaced by the manufacturer or his customer service or a similarly qualified person in order to avoid hazards.

ATTENTION! Only children aged 8 and over should be allowed to use the battery charger.

Adequate instruction should be given to enable the child to use the battery charger in a safe manner and it should be made clear that it is not a toy and should not be played with.

- Instruct the child not to charge non-rechargeable batteries because of the risk of explosion and not to attempt to do so.

- The battery charger must be checked regularly for damage, especially the cable, the plug and the housing. If the battery charger is damaged, it should not be used until it has been repaired.

Additional safety requirements for charger

- Please check the data given on the rating plate of the battery charger. Connect the battery charger to a power supply that corresponds to the voltage specified on the rating plate. Never connect the charger to a power supply with a different voltage.
- Protect the battery charger and its cable from damage and sharp edges. Have a qualified electrician repair damaged cables immediately.
- Use the battery charger only in dry environments and at an ambient temperature between 10°C and 40°C.
- Do not leave the battery charger in places where the temperature can rise to 50°C. In particular, do not leave the battery charger in cars that are parked in the sun
- Do not examine the charger connector with conductive objects. There is a risk of electric shock or death from electric shock.
- This charger is not intended for any purpose other than charging rechargeable batteries. Any other use could result in fire, electric shock, or death from electric shock.
- To avoid damaging the plug or the cable, disconnect the power connection by pulling the plug and not the cable.
- Pay attention to the position of the cable to avoid stepping on it, tripping over it or any other damage or strain when charging the battery.
- The charger is ventilated through slots on the top and bottom of the case. Do not place any objects on top of the charger or place the charger in such a way that the ventilation slots are blocked and the device overheats. Keep the charger clean
- Do not disassemble the charger. Take it to an authorized service center if repair is required. Incorrect assembly can result in electric shock, death from electric shock, or fire.
- To reduce the risk of electric shock, unplug the charger from the wall outlet before cleaning

Safety instructions for the battery

- Do not open the battery. There is a risk of short circuits.
- Protect the battery against heat (constant sunlight), fire, water and moisture. There is a risk of explosion.
- Do not short-circuit the battery. There is a risk of explosion.
- If the battery is damaged or used improperly, vapors may escape. Ventilate the room and consult a doctor if you have any symptoms; the vapors can irritate the airways.
- If the battery is defective, liquid can escape and come into contact with surrounding components. Check all affected parts. Clean these parts or replace them if necessary.

- Use the battery only with the machine. In this way the battery can be protected against dangerous overload.
- Use only original batteries; If different batteries are used, such as imitation batteries, reconditioned batteries or batteries from other brands, there is a risk of injury and property damage from exploding batteries
- Store the battery only within a temperature range of 10°C to 25°C. So do not leave the battery in the car in summer.

Additional safety requirements for batteries

- The battery included with the cordless tool is not charged. The battery must be charged before using the tool for the first time.
- The charge level of the battery drops even if it is not used. Regular charging, for example every four to six months, is therefore recommended.
- Make sure that the battery is never completely discharged. This can cause damage.
- Prompt charging of the battery contributes to a long service life. You need to charge the battery if you notice that the performance of the cordless tool is decreasing.
- Avoid contact with leaking batteries. In the event of accidental contact, wash the affected skin area with soap and water. If you get battery acid in your eyes, flush them with clean water for at least ten minutes and see a doctor immediately. Neutralize other affected areas with a mild acid such as lemon juice or vinegar
- Make sure that the battery contacts do not come into contact with other metal objects such as nails or screws. There is a risk of short circuits!
- The battery becomes hot with heavy use. Allow the battery to cool to room temperature before starting charging.

Further safety information



Make yourself familiar with all parts of the device and the correct operation of the device before you start working. Make sure that you can switch off the device immediately in an emergency. Improper use can lead to serious injuries.

- The device must not be used by children. Laws and local regulations may stipulate a minimum age for use. Likewise, people who are not fully familiar with the operating instructions are prohibited from working with the device.
- Only operate the device in daylight or in good artificial light conditions.
- Watch out for open windows, children, pets, etc. Stop working when children and pets are nearby; the blown material may be thrown in their direction. Keep a safe distance of 5m around you.
- Do not switch on the device if it is held upside down or if it is not in the working position.

- Do not point the device at people during operation, in particular not point the air jet at eyes or ears.
- Familiarize yourself with your surroundings and pay attention to possible dangers that may not be heard while working.
- Make sure you have a secure footing when working, especially on slopes.
- Walk at a walking pace, do not run.
- Carefully inspect the area to be cleaned and remove all wires, stones, cans and other foreign objects.
- Keep fingers and feet away from the pipe opening and impeller. There is a risk of injury.
- Only use the device when it is fully assembled.
- Only use replacement parts and accessories that are supplied and recommended by our service center.
- Turn off the device:
 - when you are not using the device, transporting it or leaving it unattended;
 - when you carry out cleaning or maintenance work or change accessories;
 - after contact with foreign objects or abnormal vibration
- Keep all inlets for the cooling air free from debris.

What to do in the event of an accident:

Use these operating instructions to familiarize yourself with the use of this product, memorize the safety instructions and be sure to adhere to them. This helps to avoid risks and dangers.

- a) Always be attentive when using this product, so that you can recognize dangers early and act. Intervening quickly can prevent serious injuries and property damage.
- b) If the product malfunctions, switch it off immediately and remove the battery or disconnect the charger from the power supply. Have this checked by a qualified specialist and, if necessary, repaired before you put it back into operation.

Rest risk

Even if you use this power tool properly, certain residual risks cannot be ruled out.

The following dangers can arise in connection with the construction of the machine:

- Lung damage if an appropriate protective mask is not worn.
- Hearing damage if adequate hearing protection is not worn.
- Health damage from hand-arm vibrations if the machine is used over a long period of time and is not properly operated and maintained

Warning! The power tool generates an electromagnetic field during operation. Under certain

circumstances, this field can actively or passively affect medical implants. To reduce the risk of serious injury or death, we recommend that people with medical implants consult their doctor and the manufacturer of the medical implant before using the device.

Symbols and symbols

Symbols in the operating instructions

The function of the control units can be found in the following descriptions



Danger sign with information on preventing personal injury or damage to property

Pictograms on the device



Read the operating instructions carefully.



Attention!



Risk of injury from parts being thrown away!



Read the operating instructions carefully.



Keep bystanders away from the danger area



Risk of injury from rotating impeller. Keep hands away



Do not expose the device to moisture.



Wear protective glasses



Electrical devices do not belong in the household waste.



Wear protective earmuffs



Device in accordance with
Manufactured in accordance
With european guidelines.

SYMBOLS ON THE BATTERY:



Read the operating instructions carefully.



Electrical appliances do not belong in the Household garbage.



Do not throw the battery in the trash, into the fire or into the water



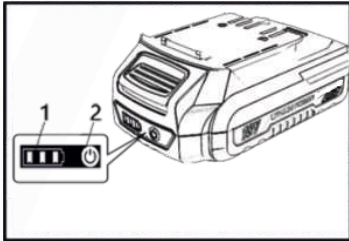
Do not use the battery more heavily for a long time Direct sunlight and do not place it on a radiator (max. 50 °)



Take batteries to a waste battery collection point, where they can be recycled in an environmentally friendly manner.

- In any case, observe the applicable safety instructions as well as regulations and notes on environmental protection
- Defects resulting from improper handling are not covered by the guarantee

Checking the remaining power of the battery



1. LED indicator

2. Button

Stop the tool and with the tool stopped press the button on the switch panel and the remaining battery capacity will be signaled on the panel.

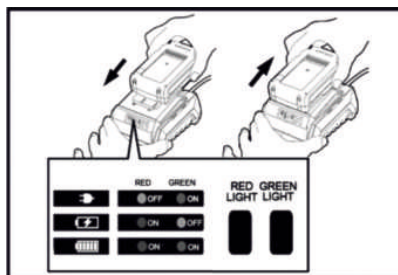
The status displayed on the switch panel and the remaining battery capacity is shown in the following table.




LED indicator status	Remaining battery capacity
	About 70% or more
	About 30% - 70%
	About less than 20%

NOTE:

- Before checking the remaining battery capacity, be sure to stop the tool.

Battery charging



	<p>Do not throw the battery in the trash, into the fire or into the water</p>		<p>Do not use the battery more heavily for a long time</p> <p>Direct sunlight and do not place it on a radiator (max. 50 ° C).</p>
	<p>Take batteries to a waste battery collection point, where they can be recycled in an environmentally friendly manner.</p>		

Intended Use

The cordless leaf blower is intended for blowing together leaves or general garden waste such as clippings or to remove them from places that are difficult to access. The product is intended exclusively for private use and is not suitable for commercial, craft or industrial use.

All other uses are expressly excluded and are considered improper use. The manufacturer or dealer assumes no liability for injuries, losses or damage caused by improper or incorrect use.



Do not expose the battery to extreme conditions such as heat and shock. There is a risk of injury from leaking electrolyte solution! In the event of eye-skin contact, rinse the affected areas with water or a neutralizer and consult a doctor



Only charge the battery in dry rooms. The outside of the battery must be clean and dry before you connect the charger. There is a risk of injury from electric shock.



Charge only with the original charger supplied. Make sure that the device is not charged continuously for more than 5 hours. The battery and the device could be damaged and you use unnecessary power if you charge them for a longer period of time. The guarantee expires in the event of an overload

- Charge the battery before using it for the first time. Do not charge the battery briefly several times in a row.
- Recharge the battery if the device runs too slowly.
- A significantly reduced operating time despite charging indicates that the battery is used up and needs to be replaced. Only use an original replacement battery that you can obtain from customer service.

- Use only the voltage specified on the charger.
- Before charging the battery, first connect the power cable to the mains and then connect the battery pack to the charger. After the battery has been fully charged, disconnect the power supply after removing the battery pack from the charger.
- This device is for indoor use only. Water, rain, or moisture should be avoided.
- Do not expose the charger to rain, snow and other extreme weather conditions. Do not use the power tools in damp or wet locations.
- Do not use the charger if it has been hit hard, dropped or damaged in any way, take it to an authorized customer service center.
- Do not disassemble the charger. Bring it to customer service if it needs to be repaired or serviced. Incorrect assembly could result in electric shock or fire.

MOUNTING

Fig.1

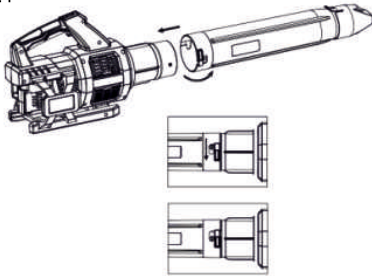


Fig.2



Fig.3



Fig4



Assemble the blowpipe (Fig.1)

NOTE: Before assembling the tube, make sure that the battery is not inserted in the product and that the power switch is in the off position.

- Push the blowpipe into the air duct.
- Turn the blowpipe counterclockwise to lock it into the groove of the air duct, and the blowpipe is fixed.

Insert the battery (Fig.2)

- Press and hold the button to insert the battery into the holder. after

SWITCH ON / OFF (Fig.3)

Push the switch trigger up to turn on the cordless leaf blower.

Please note that the Turbo button cannot be pressed for a long time. It is recommended not to use Release the switch to turn off the cordless leaf blower.

If you want to increase the speed, press the trigger first, then press the TURBO button(Fig 4) the engine has started. At this point the speed of the machine increased rapidly.

it continuously for more than 5 minutes, as this function is only suitable for short-term use

- Hold the blower by the main handle with one hand and the side bracket with the other hand. Sweep the floor with the lower pipe 5-10 cm above the floor or side to side.
- Slowly move the fan carriage forward and hold the accumulated debris in front of you.

Most dry blowers are designed for low speeds rather than high speeds.

High speed blowing is best for heavier items like large debris or gravel.

CLEANING, MAINTENANCE AND STORAGE



WARNING! To avoid serious injuries, always switch off and remove the blower dust the battery before cleaning or maintenance.



Have repairs and maintenance work that are not described in these instructions carried out by our service center. Use only original parts



Switch off the device and remove the battery from the device before starting any work.

Perform the following cleaning and maintenance work regularly. This ensures a long and reliable use.

CLEANING

The device must neither be sprayed with water nor placed in water. There is a risk of electric shock. Keep the ventilation slots, motor housing and handles of the device clean. Use a damp cloth or brush to do this. Do not use cleaning agents or solvents. This could cause irreparable damage to the device.

- Keep the ventilation slots free of dust and debris to prevent the cordless leaf blower from overheating.
- Clean the blower regularly with a soft cloth, preferably every time you use it. If the dirt doesn't come out, use a soft cloth dampened with soapy water.
- Never use solvents such as gasoline, alcohol, and ammonia water to clean the blower vacuum. These solvents can damage the plastic parts

MAINTENANCE

The cordless leaf blower was developed in such a way that it can be operated over a long period with minimal maintenance.

There are no user serviceable parts and continued safe operation depends on maintenance and regular cleaning. The cordless leaf blower should only be repaired by an authorized service center.

- Remove the battery packs.
- Keep the cordless leaf blower in a stable and safe place out of the reach of children.
- Keep the device in a dry, dust-free place and out of the reach of children.
- Remove the battery from the device if it is to be stored for a long time (e.g. over the winter). Only store the battery when it is partially charged. The state of charge should be 40-60% during a longer storage period.
- During a longer storage period, check the charge status of the battery every 4-6 months and recharge if necessary.
- Store the battery between 10°C to 25°C. Avoid extreme cold or heat during storage so that the battery does not lose performance.

DISPOSAL



Do not dispose of electrical devices with household waste.

In accordance with European Directive 2012/19 / EU on waste electrical and electronic equipment and its implementation in accordance with national law, used electrical equipment must be collected separately and recycled in an environmentally friendly manner.

Recycling alternative to the return request:

The owner of the electrical device is, instead of returning it, obliged to cooperate in the proper recycling in the event of ownership being given up. The old device can also be handed over to a collection point, which will dispose of it in accordance with the national recycling and waste legislation.

Accessory parts and aids without electrical components included with old devices are not affected.

Rechargeable batteries / batteries:



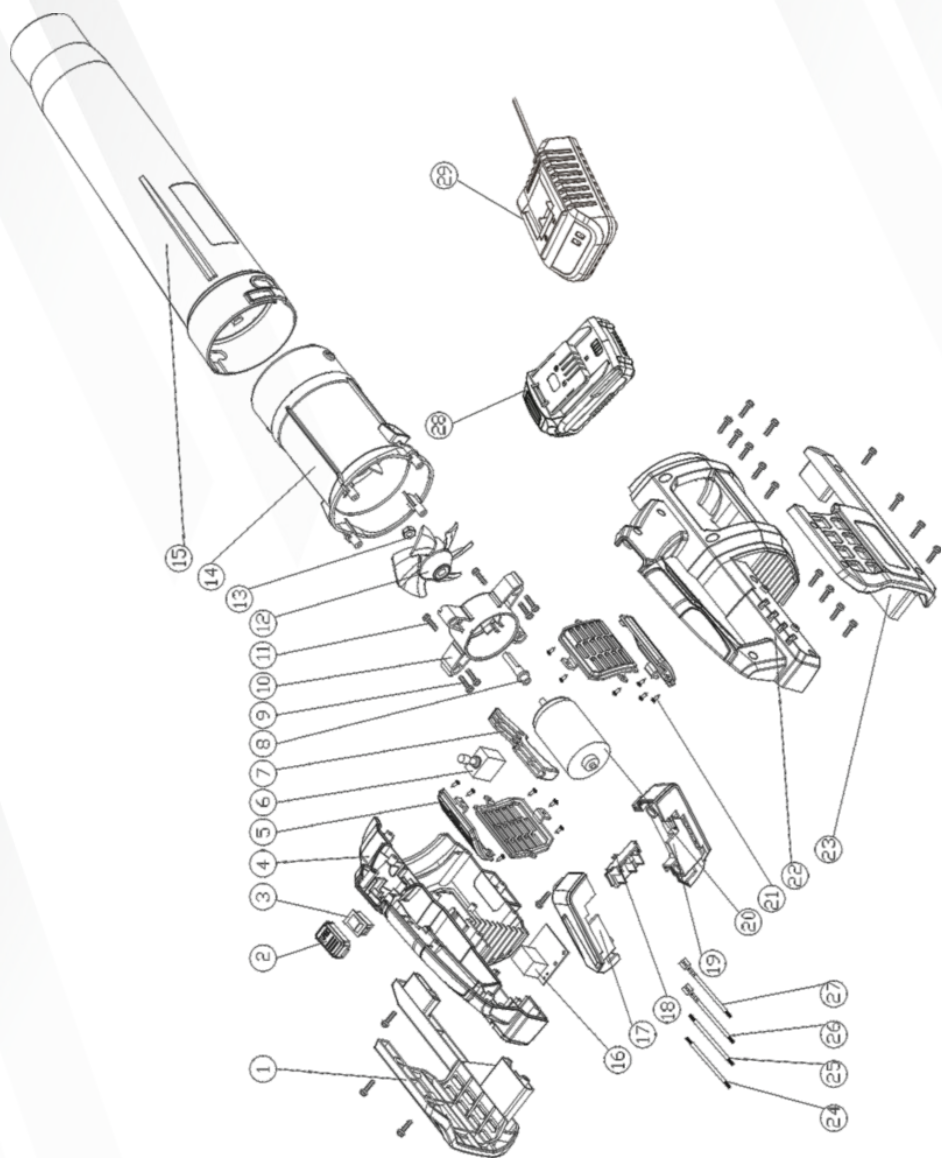
Do not dispose of rechargeable batteries / batteries in household waste, in fire or in water. Rechargeable batteries / batteries should be collected, recycled or disposed of in an environmentally friendly way.

Note on the disposal of batteries

The batteries must be removed from the device before disposal.

Batteries must not be disposed of with household waste. As the end user, you are obliged to return used batteries. You can return batteries free of charge after use at the point of sale or in their immediate vicinity (for example at municipal collection points or in stores).

Part No	Name	Qty
1	left bracket	1
2	button	1
3	acceleration switch	1
4	left casing	1
5	wind window cover	4
6	speed-control switch	1
7	Switch machine	1
8	axle sleeve	1
9	screw	24
10	motor bracket	1
11	screw	2
12	fan	1
13	locknut	1
14	ventilating duct	1
15	middle ram	1
16	PCB	1
17	Up battery support	1
18	HPP battery clip	1
19	Down battery support	1
20	motor	1
21	screw	12
22	Right casing	1
23	right bracket	1
24	internal wiring1	1
25	internal wiring2	1
26	internal wiring3	1
27	internal wiring4	1
28	battery pack	1
29	charger	1



- احتفظ بمفاح الأوراق اللاسلكي في مكان مستقر وآمن بعيداً عن متناول الأطفال.
- احتفظ بالجهاز في مكان جاف وخالي من الغبار وبعيداً عن متناول الأطفال.
- قم بإزالة البطارية من الجهاز إذا كان سيتم تخزينها لفترة طويلة (على سبيل المثال خلال فصل الشتاء). قم بتخزين البطارية فقط عندما تكون مشحونة جزئياً. يجب أن تكون حالة الشحن ٤٠-٦٠ ٪ خلال فترة تخزين أطول.
- خلال فترة تخزين أطول، تحقق من حالة شحن البطارية كل ٤-٦ أشهر وأعد الشحن إذا لزم الأمر.
- قم بتخزين البطارية بين ١٠ درجة مئوية إلى ٢٥ درجة مئوية. تجنب البرودة الشديدة أو الحرارة أثناء التخزين حتى لا تفقد البطارية الأداء.

التخلص من المنتج



لا تتخلص من الأجهزة الكهربائية التي تحتوي على نفايات منزلية.

وفقاً للتوجيه الأوروبي ١٩/٢٠١٢ / EU بشأن نفايات المعدات الكهربائية والإلكترونية وتنفيذه وفقاً للقانون الوطني، يجب جمع المعدات الكهربائية المستعملة بشكل منفصل وإعادة تدويرها بطريقة صديقة للبيئة.

بدل إعادة التدوير لطلب الإرجاع:

يلتزم مالك الجهاز الكهربائي، بدلاً من إعادته، بالتعاون في إعادة التدوير المناسبة في حالة التخلي عن الملكية. يمكن أيضاً تسليم الجهاز القديم إلى نقطة تجميع، والتي ستخلص منه وفقاً للتشريعات الوطنية لإعادة التدوير والنفايات.

لا تتأثر الأجزاء الملحقة والمساعدات التي لا تحتوي على مكونات كهربائية مضمنة مع الأجهزة القديمة.

بطاريات / بطاريات قابلة لإعادة الشحن:



لا تتخلص من البطاريات القابلة لإعادة الشحن في النفايات المنزلية أو في النار أو في الماء. يجب جمع البطاريات / البطاريات القابلة لإعادة الشحن أو إعادة تدويرها أو التخلص منها بطريقة صديقة للبيئة.

ملاحظة حول التخلص من البطاريات

يجب إزالة البطاريات من الجهاز قبل التخلص منها.

يجب عدم التخلص من البطاريات مع النفايات المنزلية. بصفتك المستخدم النهائي، فأنت ملزم بإعادة البطاريات المستعملة. يمكنك إرجاع البطاريات مجاناً بعد الاستخدام في نقطة البيع أو في جوارها المباشر (على سبيل المثال في نقاط التجميع البلدية أو في المتاجر).

- قم بتحريك عربة المروحة ببطء إلى الأمام وأمسك الحطام المتراكم أمامك.
- تم تصميم معظم المنافيخ الجافة للسرعات المنخفضة بدلاً من السرعات العالية.
- يعتبر النفخ عالي السرعة الأفضل للعناصر الثقيلة مثل الحطام الكبير أو الحصى.

التنظيف والصيانة والتخزين



تحذير ! لتجنب الإصابات الخطيرة، قم دائماً بإيقاف تشغيل المنفاخ وإزالة الغبار منه

البطارية قبل التنظيف أو الصيانة.



القيام بأعمال الإصلاح والصيانة التي لم يتم وصفها في هذه التعليمات التي يقوم بها مركز الخدمة لدينا. استخدم الأجزاء الأصلية فقط



قم بإيقاف تشغيل الجهاز وإزالة البطارية من الجهاز قبل بدء أي عمل.

القيام بأعمال التنظيف والصيانة التالية بانتظام. وهذا يضمن استخداماً طويلاً وموثوقاً به.

التنظيف

يجب عدم رش الجهاز بالماء أو وضعه في الماء. فهناك خطورة عالية من حدوث صدمة كهربائية. حافظ على فتحات التهوية ومببب المحرك ومقابض الجهاز نظيفة.

استخدم قطعة قماش مبللة أو فرشاة للقيام بذلك. لا تستخدم مواد التنظيف أو المذيبات. قد يتسبب ذلك في تلف الجهاز بشكل لا يمكن إصلاحه.

■ احتفظ بفتحات التهوية خالية من الغبار والحطام لمنع ارتفاع درجة حرارة منفاخ الأوراق اللاسلكي.

■ قم بتنظيف المنفاخ بانتظام بقطعة قماش ناعمة، ويفضل في كل مرة تستخدمها. إذا لم تخرج الأوساخ، فاستخدم قطعة قماش ناعمة مبللة بالماء والصابون.

■ لا تستخدم أبداً مذيبات مثل البنزين والكحول وماء الأمونيا لتنظيف مكبسة النفخ. هذه المذيبات يمكن أن تتلف الأجزاء البلاستيكية

الصيانة

تم تطوير منفاخ الأوراق اللاسلكي بطريقة يمكن تشغيلها على مدى فترة طويلة مع الحد الأدنى من الصيانة.

لا توجد أجزاء قابلة للصيانة من قبل المستخدم ويعتمد التشغيل المستمر للسلامة على الصيانة والتنظيف المنتظم. يجب إصلاح منفاخ الأوراق اللاسلكي فقط من قبل مركز

خدمة معتمد.



تجميع أنبوب النفخ (الشكل ١)

ملاحظات: قبل تجميع الأنبوب، تأكد من عدم إدخال البطارية في المنتج وأن مفتاح الطاقة في وضع إيقاف التشغيل.

■ ادفع أنبوب النفخ في مجرى الهواء .

■ أدر أنبوب النفخ عكس اتجاه عقارب الساعة لقفله في أخدود مجرى الهواء ، ويتم تثبيت أنبوب النفخ.

أدخل البطارية (الشكل ٢)

■ اضغط مع الاستمرار على الزر لإدخال البطارية في الحامل.

بدء تشغيل / إيقاف التشغيل (الشكل ٣)

ادفع مفتاح التشغيل لأعلى لتشغيل منفاخ الأوراق اللاسلكي.

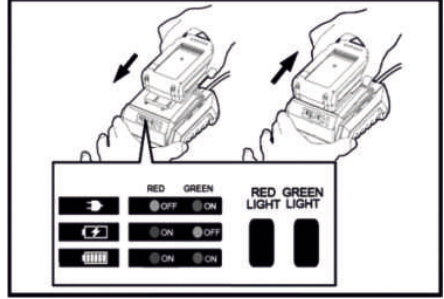
حرر المفتاح لإيقاف تشغيل منفاخ الأوراق اللاسلكي.

إذا كنت ترغب في زيادة السرعة، فاضغط على الزناد أولاً، ثم اضغط على زر التبريد TURBO (الشكل ٤) بعد بدء تشغيل المحرك. عند هذه النقطة زادت سرعة الآلة بسرعة كبيرة.

يرجى ملاحظة أنه لا يمكن الضغط على زر التبريد Turbo لفترة طويلة. يوصى بعدم استخدامه بشكل مستمر لأكثر من ٥ دقائق، لأن هذه الوظيفة مناسبة فقط للاستخدام

■ امسك المنفاخ من المقبض الرئيسي بيد واحدة والثقب الجانبي باليد الأخرى. امسح الأرضية باستخدام الأنبوب السفلي ٥-١٠ سم فوق الأرض أو من جانب إلى

آخر.



استخدم فقط الجهد المحدد على الشاحن.

قبل شحن البطارية، قم أولاً بتوصيل كابل الطاقة بالتيار الكهربائي ثم قم بتوصيل وحدة البطارية بالشاحن. بعد شحن البطارية بالكامل، افصل مصدر الطاقة بعد إزالة حزمة البطارية من الشاحن.

■ هذا الجهاز للاستخدام الداخلي فقط. يجب تجنب الماء أو المطر أو الرطوبة.

■ لا تعرض الشاحن للمطر والثلج والظروف الجوية القاسية الأخرى. لا تستخدم الأدوات الكهربائية في أماكن رطبة أو بها بخار ماء.

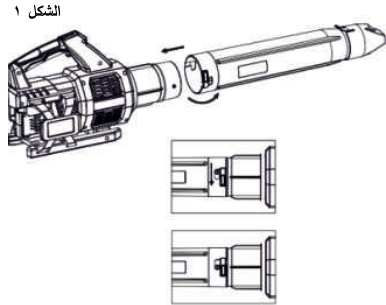
■ لا تستخدم الشاحن في حالة تعرضه للضرب بقوة أو سقوطه أو تلفه بأي شكل من الأشكال، خذه إلى مركز خدمة عملاء معتمد.

■ لا تقم بفك الشاحن. أحضره إلى خدمة العملاء إذا كان بحاجة إلى إصلاح أو صيانة. قد يؤدي التجميع غير الصحيح إلى حدوث صدمة كهربائية أو نشوب حريق.

التركيب



الشكل، ٢





اشحن فقط باستخدام الشاحن الأصلي المرفق. تأكد من عدم شحن الجهاز بشكل متواصل لأكثر من ٥ ساعات. يمكن أن تتلف البطارية والجهاز وتستخدم طاقة غير ضرورية إذا قمت بشحنها لفترة أطول من الوقت. تنتهي صلاحية الضمان في حالة وجود حمل زائد

■ اشحن البطارية قبل استخدامها للمرة الأولى. لا تشحن البطارية لفترة وجيزة عدة مرات متتالية.

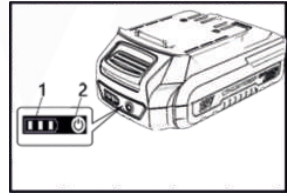
■ أعد شحن البطارية إذا كان الجهاز يعمل ببطء شديد.

■ يشير انخفاض وقت التشغيل بشكل كبير على الرغم من الشحن إلى أن البطارية قد استهلكت ويجب استبدالها. استخدم فقط البطارية البديلة الأصلية التي يمكنك الحصول عليها من خدمة العملاء.

■ في جميع الأحوال، يجب مراعاة تعليمات السلامة المعمول بها وكذلك اللوائح والملاحظات المتعلقة بحماية البيئة

■ لا يغطي الضمان العيوب الناتجة عن المناولة غير السليمة

التحقق من الطاقة المتبقية للبطارية.



١. مؤشر الليد.

٢. زر.

قم بإيقاف الأداة ومع توقف الأداة اضغط على الزر الموجود على لوحة التبديل وستظهر إشارة إلى سعة البطارية المتبقية على اللوحة.

تظهر الحالة المعروضة على لوحة المفاتيح وسعة البطارية المتبقية في الجدول التالي.

حالة مؤشر الليد	سعة البطارية المتبقية
	حوالي ٧٠٪ أو أكثر
	حوالي ٣٠ - ٧٠٪
	حوالي أقل من ٢٠٪

ملاحظات:

■ قبل التحقق من سعة البطارية المتبقية، تأكد من إيقاف الألة.

شحن البطارية

لا تعرض الوحدة للرطوبة		ارتدي نظارات واقية.
الأجهزة الكهربائية لا تنتمي إلى النفايات المنزلية.		ارتداء واقيات وأقنية للأذنين
الجهاز مطابق للمعايير الأوروبية في التصنيع.		


الرموز الموجودة على البطارية:


اقرأ تعليمات التشغيل بعناية.		الأجهزة الكهربائية لا تنتمي إلى النفايات المنزلية.
لا ترمي البطارية في القمامة أو في النار أو في الماء		لا تستخدم البطارية بشكل أكثر كثافة لفترة طويلة قم بتوجيه ضوء الشمس ولا تضعه على الرادياتير (بعد أقصى ٥٠ درجة مئوية).
اصطحب البطاريات إلى نقطة تجميع نفايات البطاريات، حيث يمكن إعادة تدويرها بطريقة صديقة للبيئة.		

الاستخدام المقصود

تم تصميم منافخ الأوراق اللاسلكي لنفخ الأوراق مغا أو نفايات الحديقة العامة مثل القصاصات أو لإزالتها من الأماكن التي يصعب الوصول إليها. المنتج مخصص حصرياً للاستخدام الخاص وغير مناسب للاستخدام الصناعي التجاري والحرفي.

يتم استبعاد جميع الاستخدامات الأخرى صراحة وتعتبر استخداماً غير لائق. لا تتحمل الشركة المصنعة أو الوكيل أي مسؤولية عن الإصابات أو الخسائر أو الأضرار الناجمة عن الاستخدام غير السليم أو غير الصحيح.

 لا تعرض البطارية لظروف قاسية مثل الحرارة والصدمات. هناك خطر الإصابة من تسرب محلول المنحل بالكهرباء! في حالة ملامسة العينين للجلد، اشطف المناطق المصابة بالماء أو جهاز تحييد واستشر الطبيب

 اسحن البطارية فقط في الغرف الجافة. يجب أن يكون الجزء الخارجي من البطارية نظيفاً وجافاً قبل توصيل الشاحن. هناك خطر الإصابة بصدمة كهربائية.

أ) كن دائماً منتبهاً عند استخدام هذا المنتج، حتى تتمكن من التعرف على المخاطر مبكراً والتصرف. التدخل بسرعة يمكن أن يمنع الإصابات الخطيرة والأضرار التي تلحق بالمنتجات.

ب) إذا تعطل المنتج، فقم بإيقاف تشغيله على الفور وأزل البطارية أو الفصل الشاحن عن مصدر الطاقة. قم بفحصه من قبل أخصائي مؤهل، وإذا لزم الأمر، قم بإصلاحه قبل إعادة تشغيله.

مخاطر احتياطية

حتى إذا كنت تستخدم هذه الأداة الكهربائية بشكل صحيح، فلا يمكن استبعاد بعض المخاطر المتبقية.

يمكن أن تنشأ المخاطر التالية فيما يتعلق ببناء الماكينة:

- تلف الرئة إذا لم يتم ارتداء كمامة واقية مناسبة.

- تلف السمع إذا لم يتم ارتداء حماية السمع الكافية.

- الضرر الصحي الناتج عن اهتزازات اليد والذراع إذا تم استخدام الماكينة على مدى فترة طويلة من الزمن ولم يتم تشغيلها وصيانتها بشكل صحيح


تنبيه: تولد الأداة الكهربائية مجالاً كهرومغناطيسياً أثناء التشغيل. في ظل ظروف معينة، يمكن أن يؤثر هذا المجال بشكل نشط أو سلبي على الغرسات الطبية. للحد من

خطر الإصابة الخطيرة أو الوفاة، نوصي الأشخاص الذين لديهم غرسات طبية باستشارة طبيبهم والشركة المصنعة للغرسات الطبية قبل استخدام الجهاز.

الرموز والعلامات

الرموز في تعليمات التشغيل

يمكن العثور على وظيفة وحدات التحكم في الأوصاف التالية

	علامة الخطر مع معلومات حول منع الإصابة الشخصية أو تلف الممتلكات
--	---

الرسوم التوضيحية على الجهاز

	اقرأ تعليمات التشغيل بعناية.	
ملحوظة! اقرأ تعليمات التشغيل بعناية.		
	خطر الإصابة من الأجزاء التي يتم رميها!	
خطر الإصابة من الدفاعة الدوارة. أبق يدك بعيداً		أبعد المارة عن منطقة الخطر
		



تعرف على جميع أجزاء الجهاز والتشغيل الصحيح للجهاز قبل بدء العمل. تأكد من أنه يمكنك إيقاف تشغيل الجهاز على الفور في حالات الطوارئ. يمكن أن يؤدي الاستخدام غير السليم إلى إصابات خطيرة.

■ يجب عدم استخدام الجهاز من قبل الأطفال. قد تنص القوانين واللوائح المحلية على حد أدنى لسن الاستخدام. وبالمثل، يُحظر على الأشخاص الذين لم يسوا على دراية كاملة بتعليمات التشغيل العمل مع الجهاز.

■ قم بتشغيل الجهاز فقط في وضوح النهار أو في ظروف إضاءة اصطناعية جيدة.

■ احترس من النوافذ المفتوحة والأطفال والحيوانات الأليفة وما إلى ذلك. توقف عن العمل عندما يكون الأطفال والحيوانات الأليفة في مكان قريب؛ قد يتم رمي المواد المنفوخة في اتجاههم. حافظ على مسافة آمنة من حولك تبلغ ٥ أمتار.

■ لا تقم بتشغيل الجهاز إذا كان مشبهاً رأساً على عقب أو إذا لم يكن في وضع العمل.

■ لا توجه الجهاز إلى الأشخاص خلال التشغيل، وعلى وجه الخصوص لا توجه نافورة الهواء إلى العينين أو الأذنين.

■ تعرف على محيطك وانتبه إلى المخاطر المحتملة التي قد لا تسمع خلال العمل.

■ تأكد من وجود قاعدة آمنة عند العمل، خاصة على المنحدرات.

■ امشي بوتيرة سريعة، لا تركض.

■ افحص المنطقة المراد تنظيفها بعناية وأزل جميع الأسلاك والأحجار والعلب والأجسام الغريبة الأخرى.

■ حافظ على الأصابع والقدمين بعيداً عن فتحة الأنبوب والدفاع. فهناك خطر الإصابة.

■ استخدم الجهاز فقط عند تجميعه بالكامل.

■ استخدم فقط قطع الغيار والملحقات التي يتم توفيرها والتوصية بها من قبل مركز الخدمة الخاص بنا.

■ قم بإيقاف تشغيل الجهاز:

- عندما لا تستخدم الجهاز أو تنقله أو تتركه دون مراقبة؛

- عند القيام بأعمال التنظيف أو الصيانة أو تغيير الملحقات؛

- بعد ملامسة أجسام غريبة أو اهتزاز غير طبيعي

■ احتفظ بجميع مداخل هواء التبريد خالية من الركام.

ما يجب القيام به في حالة وقوع حادث:

استخدم تعليمات التشغيل هذه للتعرف على استخدام هذا المنتج، واحفظ تعليمات السلامة وتأكد من الالتزام بها. وهذا يساعد على تجنب المخاطر والأخطار.

كهربائية أو نشوب حريق.

■ لتقليل خطر حدوث صدمة كهربائية، افصل الشاحن عن مقبس الحائط قبل التنظيف

تعليمات السلامة للبطارية

■ لا تفتح البطارية. فهناك خطر حدوث ماس كهربائي.

■ احم البطارية من الحرارة (ضوء الشمس المستمر) والحريق والماء والرطوبة. هناك خطر الانفجار.

■ لا تقصر دائرة البطارية. هناك خطر الانفجار.

■ في حالة تلف البطارية أو استخدامها بشكل غير صحيح، قد تتسرب الأبخرة. قم بتهوية الغرفة واستشر الطبيب إذا كان لديك أي أعراض؛ يمكن للأبخرة أن تهيج الشعب

الهوائية.

■ إذا كانت البطارية معيبة، يمكن أن يتسرب السائل ويتلامس مع المكونات المحيطة. افحص جميع الأجزاء المتأثرة. قم بتنظيف هذه الأجزاء أو استبدالها إذا لزم الأمر.

■ استخدم البطارية فقط مع الآلة. وبهذه الطريقة يمكن حماية البطارية من الحمل الزائد الخطير.

■ استخدم البطاريات الأصلية فقط؛ إذا تم استخدام بطاريات مختلفة، مثل بطاريات التقليد أو البطاريات المجددة أو البطاريات من علامات تجارية أخرى، فهناك خطر

الإصابة وتلف الممتلكات بسبب انفجار البطاريات

■ قم بتخزين البطارية فقط في نطاق درجة حرارة من ١٠ إلى ٢٥ درجة مئوية. لذلك لا تترك البطارية في السيارة في الصيف.

متطلبات السلامة الإضافية للبطاريات

■ البطارية المرفقة مع الأداة اللاسلكية غير مشحونة. يجب شحن البطارية قبل استخدام الأداة لأول مرة.

■ ينخفض مستوى شحن البطارية حتى لو لم يتم استخدامها. لذلك يوصى بالشحن المنتظم، على سبيل المثال كل أربعة إلى ستة أشهر.

■ تأكد من عدم تفريغ شحن البطارية بالكامل. يمكن أن يسبب هذا ضرراً.

■ يساهم الشحن الفوري للبطارية في إطالة عمر الخدمة. تحتاج إلى شحن البطارية إذا لاحظت أن أداء الأداة اللاسلكية يتناقص.

■ تجنب ملامسة البطاريات المتسربة. في حالة التلامس العرضي، اغسل منطقة الجلد المصابة بالماء والصابون. إذا كان لديك حمض البطارية في عينيك، اغسلها بالماء

النظيف لمدة عشر دقائق على الأقل واستشر الطبيب على الفور. تحييد المناطق المصابة الأخرى بحمض خفيف مثل عصير الليمون أو الخل

■ تأكد من عدم ملامسة ملامسات البطارية لأجسام معدنية أخرى مثل المسامير أو البراغي. فهناك خطر حدوث ماس كهربائي!

■ تصبح البطارية ساخنة مع الاستخدام الكثيف. اترك البطارية لتبرد إلى درجة حرارة الغرفة قبل بدء الشحن.

مزيد من معلومات السلامة

■ لا تتم أبداً بتقصير دائرة البطارية. خطر التعرض للانفجار، في حالة الاستخدام غير السليم أو التلف، يمكن أن تتسرب الأبخرة من الجهاز. في حالة وجود شكاوى، قم بتوفير هواء نقي واستشر الطبيب. يمكن أن تؤثر الأبخرة على الجهاز التنفسي

■ يجب عدم تشغيل الشاحن على سطح قابل للاشتعال (مثل الورق والمنسوجات). هناك خطر نشوب حريق بسبب التسخين الذي يحدث أثناء الشحن.

■ في حالة تلف سلك الطاقة الخاص بهذا الجهاز، يجب استبداله من قبل الشركة المصنعة أو خدمة العملاء أو شخص مؤهل بالمثل لتجنب المخاطر.

ملحوظة! يجب السماح فقط للأطفال الذين تبلغ أعمارهم ٨ سنوات فما فوق باستخدام شاحن البطارية. يجب إعطاء تعليمات كافية لتمكين الطفل من استخدام شاحن البطارية بطريقة آمنة ويجب توضيح أنها ليست لعبة ويجب عدم اللعب بها.

■ اطلب من الطفل عدم شحن البطاريات غير القابلة لإعادة الشحن بسبب خطر الانفجار وعدم محاولة القيام بذلك.

■ يجب فحص شاحن البطارية بانتظام بحثاً عن التلف، وخاصة الكابل والقابس والمبيت. في حالة تلف شاحن البطارية، يجب عدم استخدامه حتى يتم إصلاحه.

متطلبات السلامة الإضافية للشاحن

■ يرجى التحقق من البيانات الواردة في لوحة تصنيف شاحن البطارية. قم بتوصيل شاحن البطارية بمصدر طاقة يتوافق مع الجهد المحدد على لوحة التصنيف. لا تتم أبداً بتوصيل الشاحن بمصدر طاقة بجهد مختلف.

■ احم شاحن البطارية وكابله من التلف والحواف الحادة. اطلب من كهربائي مؤهل إصلاح الكابلات التالفة على الفور.

■ استخدم شاحن البطارية فقط في البيئات الجافة وفي درجة حرارة محيطية تتراوح بين ١٠ و ٤٠ درجة مئوية.

■ لا تترك شاحن البطارية في الأماكن التي يمكن أن ترتفع فيها درجة الحرارة إلى ٥٠ درجة مئوية. على وجه الخصوص، لا تترك شاحن البطارية في السيارات المتوقفة في الشمس

■ لا تفحص موصل الشاحن بأجسام موصلة. هناك خطر حدوث صدمة كهربائية أو الموت من الصدمة الكهربائية.

■ هذا الشاحن غير مخصص لأي غرض آخر غير شحن البطاريات القابلة لإعادة الشحن. قد يؤدي أي استخدام آخر إلى نشوب حريق أو حدوث صدمة كهربائية أو الوفاة بسببها.

■ لتجنب إتلاف القابس أو الكابل، أفضل توصيل الطاقة عن طريق سحب القابس وليس الكابل.

■ انتبه إلى موضع الكابل لتجنب الدوس عليه أو التعثر فوقه أو أي تلف أو إجهاد آخر عند شحن البطارية.

■ يتم تهوية الشاحن من خلال فتحات في الجزء العلوي والسفلي من العلبة. لا تضع أي أشياء فوق الشاحن أو تضع الشاحن بطريقة تمنع فتحات التهوية وتسخن الجهاز بشكل مفرط. حافظ على نظافة الشاحن

■ لا تقم بفك الشاحن. خذه إلى مركز خدمة معتمد إذا كان الإصلاح مطلوباً. يمكن أن يؤدي التجميع غير الصحيح إلى حدوث صدمة كهربائية أو الوفاة بسبب صدمة

■ لا تحاول أبدًا إجراء أي إصلاحات بنفسك

قم بإزالة البطارية

■ تقليل خطر إصابة الأشخاص. قم بإزالة حزمة البطارية عندما لا تكون الأداة قيد الاستخدام، قبل تغيير أي أجزاء من الأداة أو الملحقات أو المرفقات، وقبل التنظيف أو الصيانة.

■ تجنب بدء التشغيل غير المقصود

■ لا تحمل الأداة بإصبعك على مفتاح التشغيل/الإيقاف.

لا تحمل الشاحن أبدًا من سلكه أو تسحبه لفصله عن المقبس. احتفظ بالسلك بعيدًا عن الحرارة والزيت والحواف الحادة.

تعليمات السلامة للشاحن

اقرأ تعليمات الاستخدام قبل الشحن.

■ احم الشاحن من المطر والرطوبة. يزيد تغلغل الماء في الجهاز من خطر حدوث صدمة كهربائية.

■ استخدم فقط الشواحن من الشركة المصنعة. يمكن أن يؤدي استخدام شواحن غير تلك المصممة من قبل الشركة المصنعة إلى خطر نشوب حريق.

■ لا تشحن أي بطاريات أخرى مع الشاحن المرفق. الشاحن مناسب فقط لشحن بطاريات الليثيوم أيون بجهد اسمي معين. يمكن أن يؤدي شحن البطاريات غير المناسبة

للجهاز إلى خطر نشوب حريق وانفجار.

■ حافظ على الشاحن نظيفًا. يمكن أن يؤدي التلوث إلى خطر حدوث صدمة كهربائية.

■ افحص الشاحن والكابيل والمقبس في كل مرة تستخدم فيها الجهاز. لا تستخدم أبدًا أجهزة الشحن ذات الأجزاء المعيبة. لا تفتح الشاحن أبدًا وتمتنع عن إصلاح الشاحن

بنفسك. لا تستخدم أبدًا أجهزة الشحن ذات الأجزاء المعيبة. قم بإصلاح الشاحن فقط من قبل شخص مؤهل ومفوض. تزيد الشواحن والكابلات والمقابس التالفة من خطر

التعرض لصدمة كهربائية.

■ لا تستخدم الجهاز مطلقًا في المنطقة المجاورة مباشرة للمواد القابلة للاشتعال (الورق والقمامة وما إلى ذلك). وبهذه الطريقة يمكن تجنب خطر الحريق بسبب ارتفاع

درجة الحرارة.

■ إذا تم استخدام الشاحن بشكل غير صحيح، فقد يتسرب سائل البطارية من الضروري تجنب أي تلامس مع سائل البطارية. إذا لامست سائل البطارية عن طريق الخطأ،

فاشطف المنطقة المصابة جيدًا. إذا لامس سائل البطارية العينين، فاستشر الطبيب. يمكن أن يسبب سائل البطارية تهيج الجلد أو حرقه.

■ لا تفتح الشاحن أبدًا. هذا يمكن أن يمنع خطر حدوث صدمة كهربائية.

■ قم بحماية الجهاز من الحرارة وكذلك من أشعة الشمس المستمرة والنا. خطر التعرض للانفجار،

شخصية.

• حافظ على توازنك، واحرص على ثبات موطنى القدم والتوازن في جميع الأوقات. فبذلك يمكنك التحكم في الأداة الكهربائية بشكل أفضل في المواقف المفاجئة غير

المتوقعة.

أبقِ شريك وملايسك وقفازانك بعيداً عن الأجزاء المتحركة، فقد تعلق الملابس الفضفاضة أو المجوهرات أو الشعر الطويل في الأجزاء المتحركة.

• إذا تم توفير أجهزة لتوصيل مرافق شفط وتجميع الغبار، فتأكد من توصيلها واستخدامها بشكل صحيح. يمكن أن يؤدي استخدام مجمع الغبار إلى تقليل المخاطر المتعلقة

بالغبار.

الحماية الشخصية

• خطر إصابة العين. ارتداء نظارات واقية أو ما شابه ذلك من نظارات واقية للعين. استخدم قناع الوجه أو الغبار عندما تنتج العمليات غباراً أو جزئيات متطايرة.

ارتد واقي الأذن عندما يبدو مستوى الصوت غير مريح.

• حافظ على توازنك،

واحرص على ثبات موطنى القدم والتوازن في جميع الأوقات.

اختيار الأداة المناسبة

الاستخدام المقصود موضح في دليل التعليمات هذا. لا تجبر الأدوات الصغيرة أو المرफقات على القيام ب مهمة أداة الخدمة الشاقة.

■ سوف تقوم الأداة بالمهمة بشكل أفضل وأكثر أماناً بالمعدل الذي صممت من أجله. وقد يؤدي استخدام أي ملحق أو ملحق أو إجراء أي عملية باستخدام هذه الأداة

بخلاف تلك الموصى بها في دليل التعليمات هذا إلى خطر الإصابة الشخصية. لا تضغط على الأداة بالقوة.

الحفاظ على الأدوات بعناية

■ حافظ على أدوات القطع حادة ونظيفة للحصول على أداء أفضل وأكثر أماناً.

■ اتبع التعليمات الخاصة بالصيانة وتغيير الملحقات.

■ حافظ على المقابض والمفاتيح جافة ونظيفة وخالية من الزيوت والشحوم.

التحقق من الأجزاء التالفة

■ قبل استخدام الأداة، أفحصها بعناية للتأكد من أنها ستعمل بشكل صحيح وتؤدي وظيفتها المقصودة.

■ تحقق من عدم محاذاة الأجزاء المتحركة وتوقفها عن الحركة وكسر الأجزاء وأي ظروف أخرى قد تؤثر على تشغيلها.

■ قم بإصلاح أي أجزاء معيبة أو استبدالها بواسطة وكيل إصلاح معتمد. لا تستخدم الأداة إذا كان أي جزء معيباً.



تحذير: يرجى قراءة جميع التعليمات. قد يؤدي عدم اتباع التحذيرات والتعليمات إلى حدوث صدمة كهربائية و/أو حريق و/أو إصابة خطيرة. احتفظ بهذا الدليل

للرجوع إليه في المستقبل.

السلامة في منطقة العمل

■ حافظ على منطقة العمل نظيفة وجيدة الإضاءة. المناطق غير المرتبة أو المظلمة قد تسبب الحوادث.

تجنب تشغيل الآلة الكهربائية في المناطق التي تحتوي على أجواء تساعد على وقوع انفجارات، على سبيل المثال في ظل وجود السوائل أو الغازات أو الأتربة القابلة للاشتعال. تحدث الأدوات الكهربائية شرارات قد تؤدي إلى اشتعال الغبار أو الأبخرة.

ابتعد الأطفال والمارة أثناء تشغيلك للأداة الكهربائية.

قد يتسبب تشتت الانتباه في جعلك تفقد سيطرتك على الآلة.

السلامة الكهربائية

■ يجب أن تتطابق مقاييس الأدوات الكهربائية مع المخرج. ممنوع تماماً تعديل القابض بأي شكل من الأشكال. لا تستخدم أي مقاييس تحويل مع الأداة الكهربائية المؤرضة.

المقاييس غير المحوطة والمخارج الكهربائية المطابقة تقلل من خطر التعرض للصعق الكهربائي.

■ تجنب ملامسة الجسم للأسطح المؤرضة أو المؤرضة مثل الأنابيب وأجهزة التدفئة وأجهزة التدفئة والموقد والثلاجات. يتزايد خطر التعرض للصعق الكهربائي في حالة تأريض جسدك.

■ لا تعرض الأدوات الكهربائية للمطر أو الظروف الرطبة. يزيد دخول المياه إلى الأداة الكهربائية من خطر التعرض للصعق الكهربائي.

السلامة الشخصية

■ ابق متيقظاً وانتبه لما تقوم به واستخدم الحس السليم عند تشغيل أداة كهربائية. لا تستخدم الأداة الكهربائية إذا كنت مرهقاً أو تحت تأثير العقاقير أو الكحوليات أو

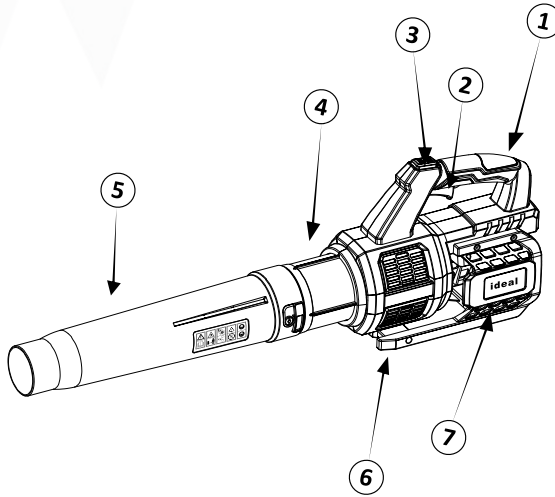
الأدوية. يمكن أن يؤدي الغفل للحظة واحدة خلال تشغيل الأدوات الكهربائية إلى إصابة شخصية خطيرة.

استخدم معدات الحماية الشخصية. ارتد دائماً واقياً للعينين. ومعدات الحماية مثل قناع الغبار أو أحذية السلامة غير القابلة للانزلاق أو القبعة الصلبة أو واقي السمع المستخدم في الظروف المناسبة سيققل من الإصابات الشخصية.

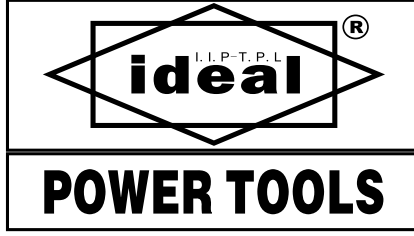
احرص على منع التشغيل غير المقصود. تأكد من أن المفتاح في وضع إيقاف التشغيل قبل توصيل القابض بمصدر الطاقة و / أو تركيب حزمة البطارية، أو عند التقاط أو حمل الأداة. حمل الأدوات الكهربائية وإصبعك على المفتاح أو تنشيط الأدوات الكهربائية التي تحتوي على مفتاح تشغيل قد يتسبب بوقوع حوادث.

• أزل أي مفتاح ضبط أو مفتاح ربط قبل تشغيل الأداة الكهربائية. قد يؤدي مفتاح الربط أو المفتاح الأيسر المتصل بجزء دوار من مجموعة نقل الحركة إلى إصابة

IDU GB-480	رقم الطراز
٢٠ فولت تيار مستمر	الجهود المقدر
rpm ١٥٠٠-٥٠٠٠	السرعة المقررة
٢٠٥٠٠ دورة في الدقيقة	السرعة مع التريو
١١٥-٣٦ كم/ساعة	السرعة الهوائية
١٥٥ كم/ساعة	سرعة الهواء مع التوربو
٦-١.٩ متر مكعب/ دقيقة	كمية الهواء
٨ متر مكعب/ دقيقة	كمية الهواء مع التوربو



١. مقبض رئيسي	٥. أنبوب النفخ
٢. مفتاح التشغيل	٦. مخرج الهواء
٣. زر التريو	٧. ذراع تثبيت
٤. مجرى هواء	

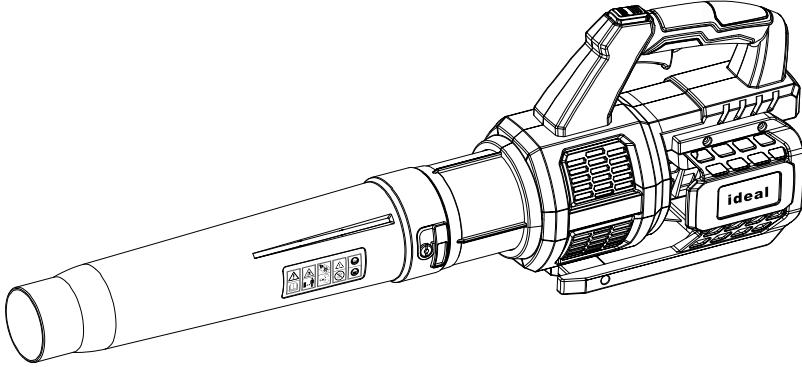


منفاخ حدائق لاسلكي

تعليمات التشغيل الأصلية

IDU GB-480

رقم القطعة: ٢٨٨٨٥



لتقليل خطر الإصابة، يجب على المستخدم قراءة دليل المشغل وفهمه قبل استخدام هذا المنتج. يرجى الاحتفاظ بهذه التعليمات للرجوع إليها مستقبلاً.



ULTRA SERIES